

Beamever

LINIO NEON I220 SV TW

IP67 protection with high performance silicone, UV resistant, solvents resistant. Seamless line in 30Mtrs roll.

One BIN Only to ensure perfect color consistency



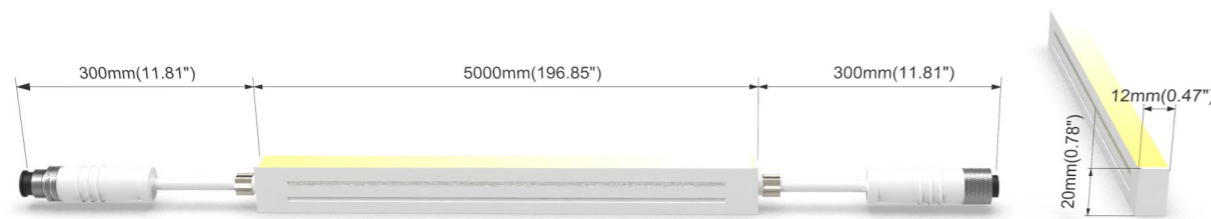
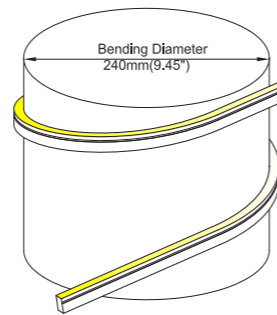


LINIO NEON 1220 SV TW

- Side view, horizontal bending with radius of 120mm / 4.72".
- DC24V, Cross section size 12mm x 20mm / 0.47" x 0.79" (W x H).
- IP67 protection with high performance silicone, UV resistant, solvents resistant.
- 30M/reel maximum. Max. Run length refers to single side feed in serial connection.
- Easy to be cut and reconnected at project sites. Custom length are available as well.
- White Adjustable from very warm white 2700K to cool white 5300K.

Product Benefits:

- Homogeneous light effect & high light efficiency.
- Extremely durability and flexibility thanks to high performance materials.
- Not just good-looking but also weatherproof.

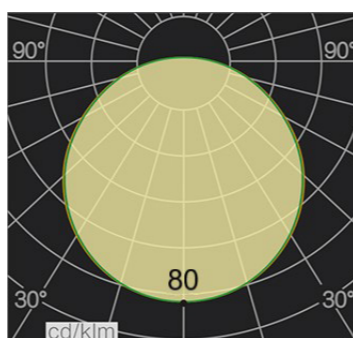


Electrical data

Voltage	DC24V (23.5V _{min} , 24.5V _{max})
LED PIN Temperature	Max. 59.4°C / 138.92°F
Storage Temperature	-25°C / -13°F _{min} , 60°C / 140°F _{max}
Ambient Temperature	Ta _{min} = -25°C / -13°F; Ta _{max} = 35°C / 95°F@15W Ta _{max} = 45°C / 113°F@7.5W(Single Color)
Power(W/m W/ft)	15/4.6
Efficacy(lm/W)@5300K	36
CRI	80



CCT	LM/Mtr	Max. Watt (W/M)	Max. Run Length (M)	Unit Cut (MM)
2700K	270	7.5	5	50
5300K	270	7.5	5	50
2700K+5300K	523	15	5	50



Important notice

- The given data are typical values due to the tolerances of the production process and the electrical components, values for light output and electrical power can vary up to 10%.
- The given color temperature is neon flex (after extrusion) color temperature.
- Standard cable length is 30cm, if longer cable required, please contact us.
- Male and female connectors are available if needed.
- It is IK08 rated. Please use protection materials if it is walk over application.



Order code

SERIES NAME	COLOR	LENGTH	POWER	CABLE ENTRY
LNS TW	2753= 2700+5300K	05000=5M/196.85"	015=15W	F=FRONT S=SIDE B=BOTTOM



Front Cable Entry
Suitable for power feed in or straight connection. Do not bend down or aside too sharp.



Side Cable Entry
It can achieve perfect seamless light connection if the cabling space is allowed on the side.



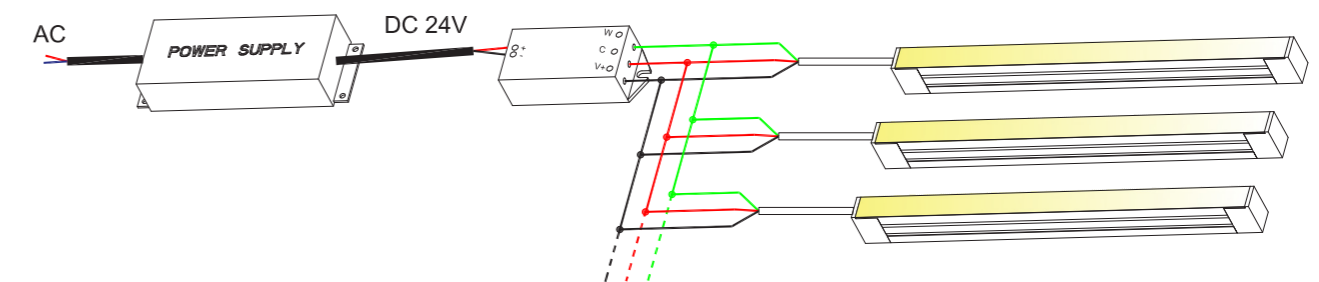
Bottom Cable Entry
It can achieve perfect seamless light connection if the cabling space is allowed from the bottom.

Eg: LNS TW 2753-01500-015-F: LINIO NEON 1220 SV TW 2700K+5300K, 1.5M/reel,15W/M,Front cable entry.

Accessories

Art.#	Description	Picture	Art.#	Description	Picture
SC002	1m anodized aluminium channel for LINIO NEON 1220 SV		MF016	Extension connectors, 1m IP67, 3PIN	
M0003	Clips 20mm 316L (Clip required every 25cm, stainless steel)		MF017	Extension connectors, 5m IP67, 3PIN	
E0004	End cap with 30cm cable 3PIN for LINIO NEON 1220 SV TW		XLG-150-24-A	PSU 24V/150W IP67, Non-dimmable, White, 100-305V supply	
E0005	Closed end cap for LINIO NEON 1220 SV TW		ELG-150-24B	PSU 24V/150W IP67, 3 in 1 dimming function, White, 100-305V supply	
G0002	Silicone glue		ELG-150-24DA	PSU 24V/150W IP67, DALI control technology, White, 100-305V supply	
MF015	Male and female connectors, 30cm IP67, 3PIN		M2+M3-3A	Tunable white controller, DC24V, 3A*2Channel, Max 6A IP20, Support remote control	

Wiring connection



Application



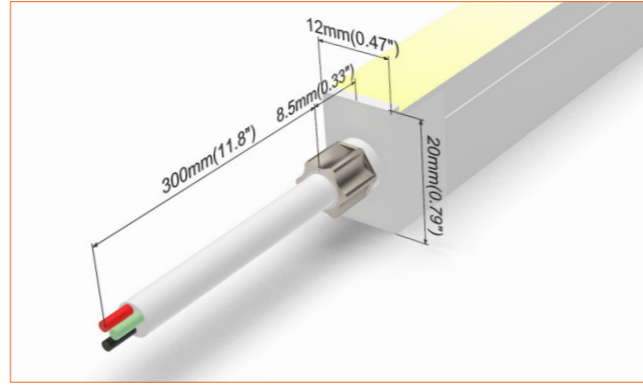
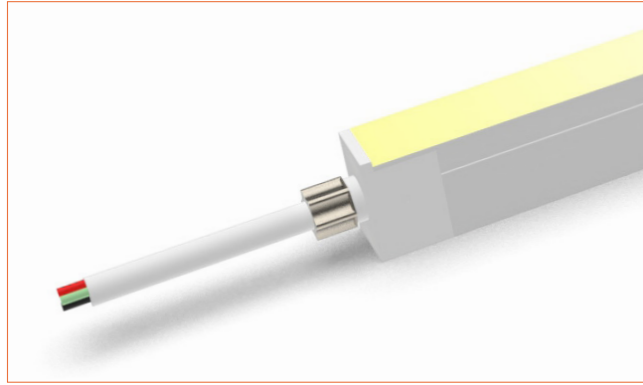
Where to use the product?

It can bring homogeneous lighting to your both interior and exterior projects, effectively and elegantly highlighting certain areas in architectural lighting projects and tracing straight, curved and even round contours with even lighting. With cold white and warm white in one neon flex, you can create different atmosphere through changing the color temperature.

It is a perfect linear solution for Architecture lighting, wall integration, landscape lighting....landscape lighting, and other different type of applications. There is LINIO NEON 1220 SV TW. You can light up your project as well as make it more charming and attracting with our LINIO NEON 1220 SV TW.

Beamever

Front Cable Entry
Suitable for power feed in or straight connection. Do not bend down or aside too sharp.



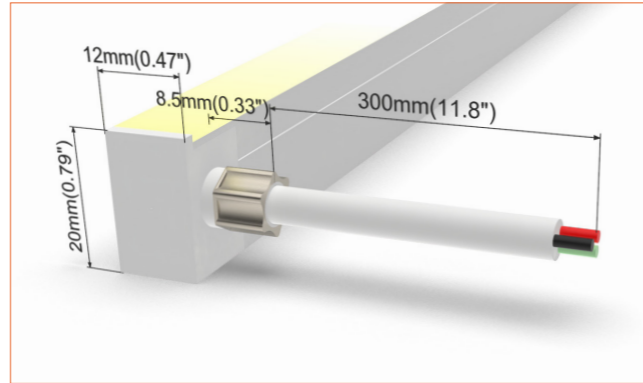
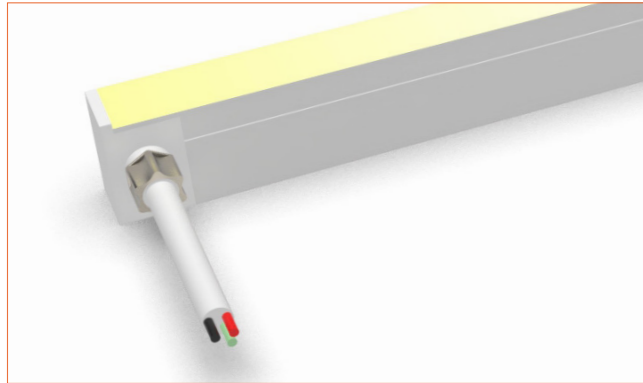
Front double wire end: 30cm cable from two ends, front cable entry.



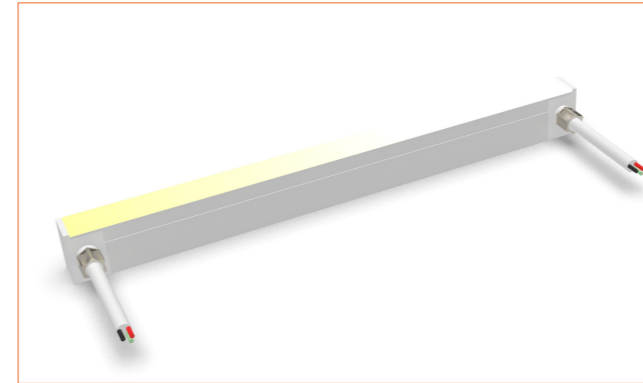
Front single wire end: 30cm cable from one end, front cable entry.



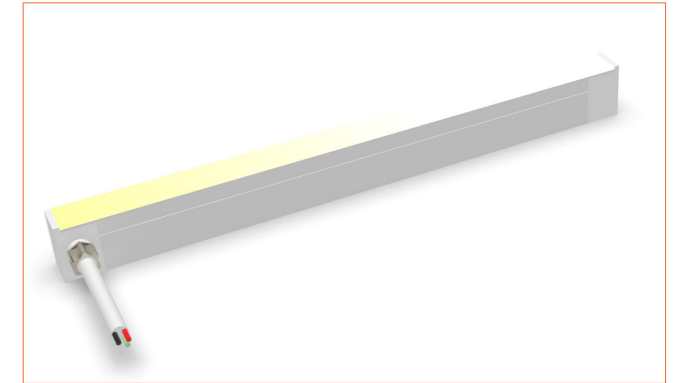
Side Cable Entry
It can achieve perfect seamless light connection if the cabling space is allowed on the side.



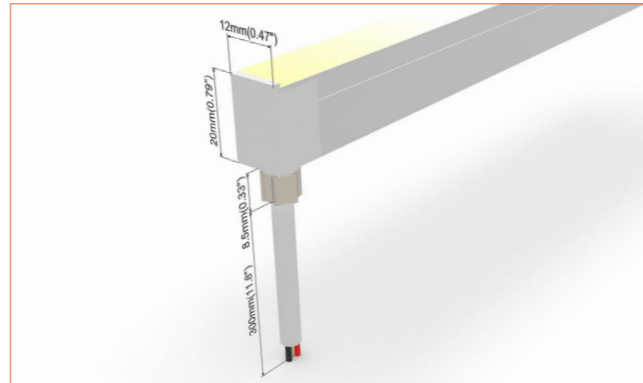
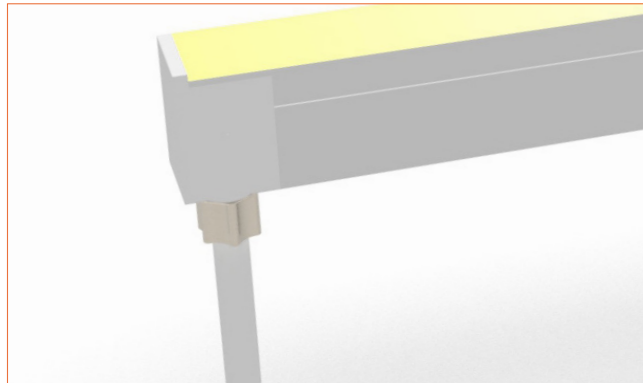
Side double wire end: 30cm cable from two ends, side cable entry.



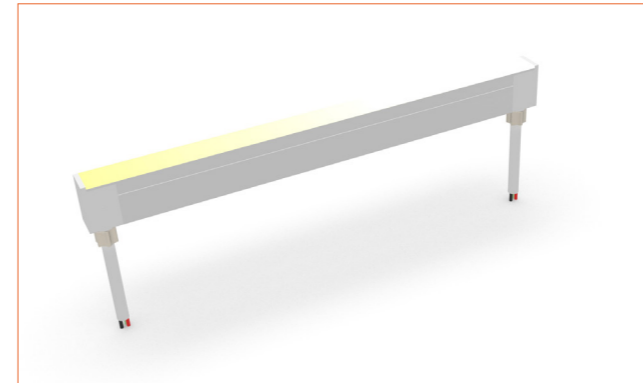
Side single wire end: 30cm cable from left one only (side cable entry), other end with closed end cap.



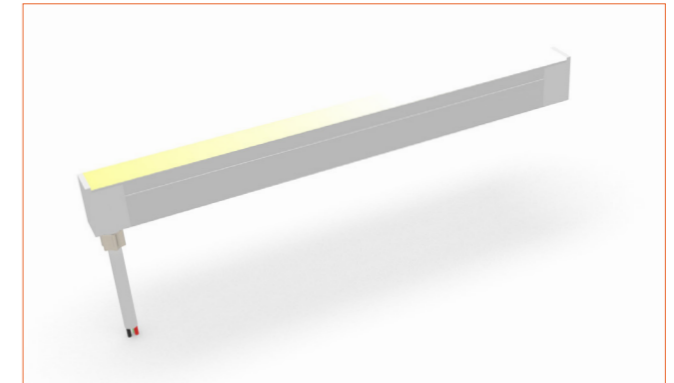
Bottom Cable Entry
It can achieve perfect seamless light connection if the cabling space is allowed from the bottom.



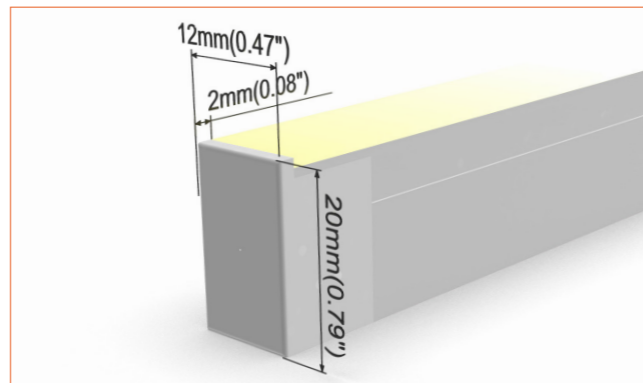
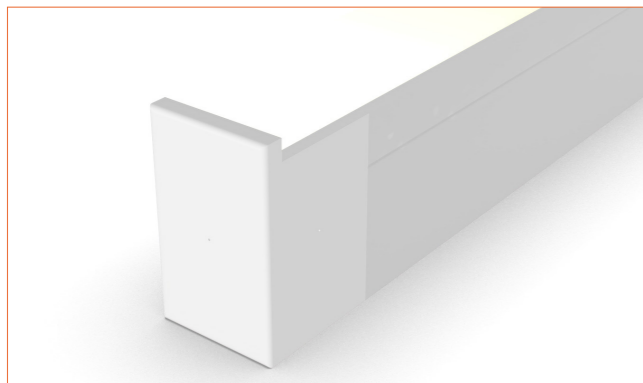
Bottom double wire end: 30cm cable from two ends, bottom cable entry.

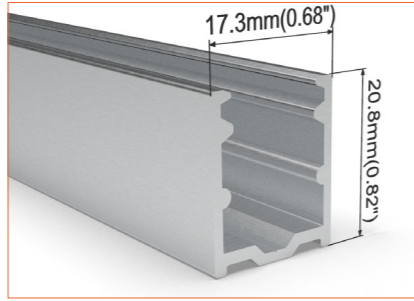
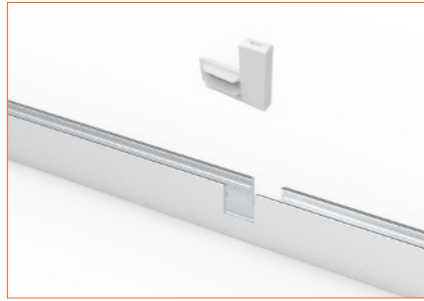


Bottom single wire end: 30cm cable from left one only (bottom cable entry), other end with closed end cap.

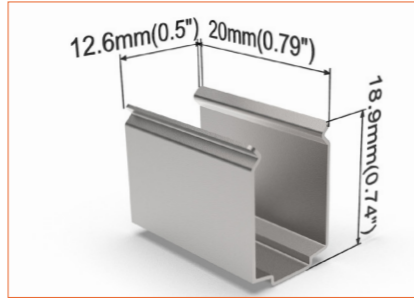
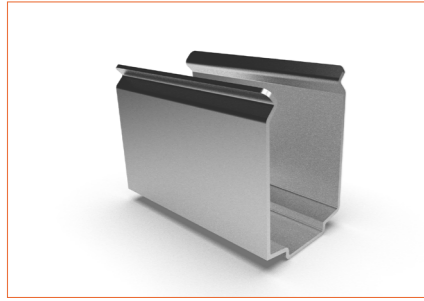


Closed end cap
Elegant injecting closed end cap in same size as neon flex body.

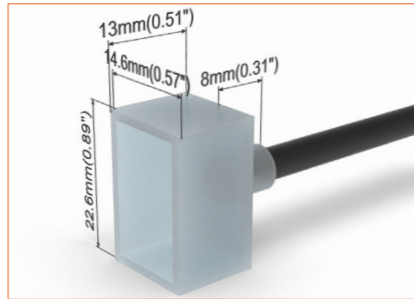
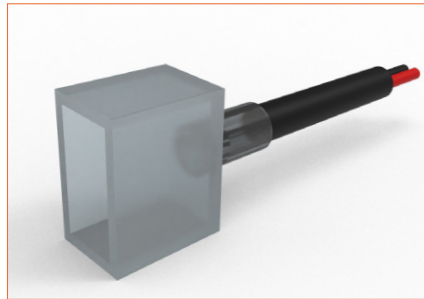




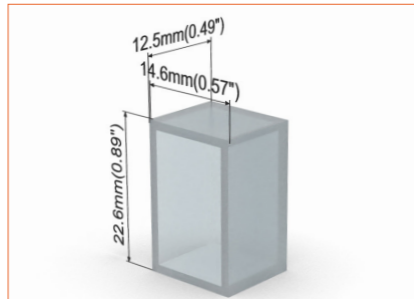
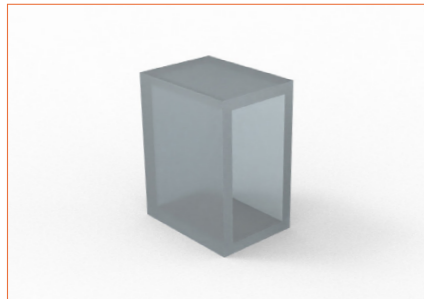
SC002
Straight aluminium channel
Length 1mtr



M0003
Stainless steel mounting clip



E0004
End cap with 30cm cable



E0005
Closed end cap



Beamever

Address: 100 N Howard St Ste R,
Spokane, WA, 99201-0508 USA
Tel: 323-5104660
info@beamever.com
www.beamever.com