

Beamever

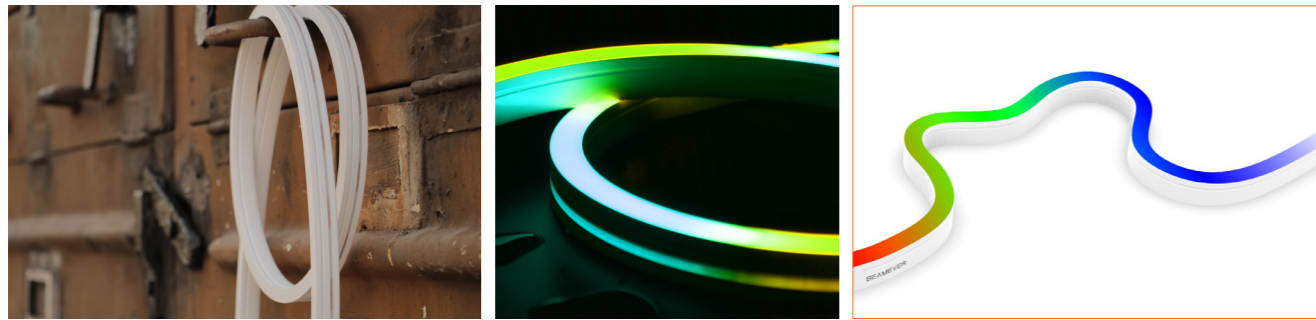
LINIO NEON 1220 SV PIXEL RGBW

IP67 protection with high performance silicone, UV resistant, solvents resistant. Seamless line in 30Mtrs roll.

One BIN Only to ensure perfect color consistency



Beamever

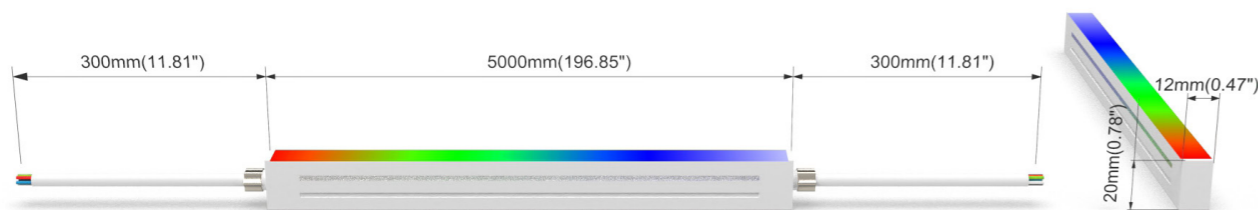
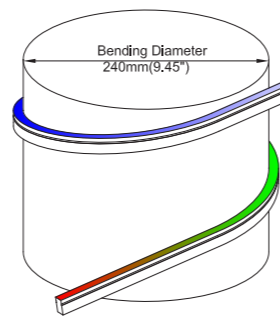


LINIO NEON 1220 SV PIXEL RGBW

- Side view, horizontal bending with radius of 120mm / 4.72".
- DC24V, Cross section size 12mm x 20mm / 0.47" x 0.79" (W x H).
- IP67 protection with high performance silicone, UV resistant, solvents resistant.
- 30M/reel maximum. Max. Run length refers to single side feed in serial connection.
- Easy to be cut and reconnected at project sites. Custom length are available as well.
- Can be directly connected to any standard DMX controller, no need any decoders.

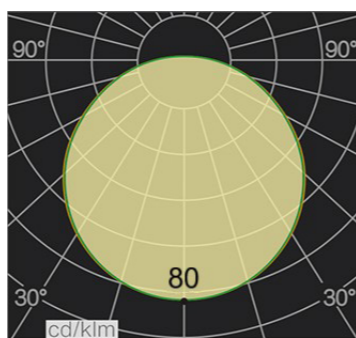
Product Benefits:

- Homogeneous light effect & high light efficiency.
- Extremely durability and flexibility thanks to high performance materials.
- Not just good-looking but also weatherproof.



Electrical data

Voltage	DC24V (23.5V _{min} , 24.5V _{max})
LED PIN Temperature	Max. 59.4°C / 138.92°F
Storage Temperature	-25°C / -13°F _{min} , 60°C / 140°F _{max}
Ambient Temperature	Ta _{min} = -25°C / -13°F; Ta _{max} = 45°C / 113°F@15W Ta _{max} = 55°C / 131°F@3.5W(Single Color)
Power(W/m W/ft)	14/4.3
Gray Scale	256
Pixel/M	8
Control Mode	DMX 512



CCT	LM/Mtr	Max. Watt (W/M)	Max. Run Length (M)	Unit Cut (MM)
R	23	3.5	5	125
G	70	3.5	5	125
B	19	3.5	5	125
W27	118	3.5	5	125
W40	129	3.5	5	125
W53	120	3.5	5	125
RGBW40	241	14	5	125

Important notice

- The given data are typical values due to the tolerances of the production process and the electrical components, values for light output and electrical power can vary up to 10%.
- The given color temperature is neon flex (after extrusion) color temperature.
- Standard cable length is 30cm, if longer cable required, please contact us.
- Male and female connectors are available if needed.
- It is IK08 rated. Please use protection materials if it is walk over application.

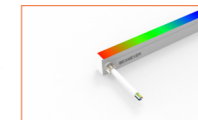


Order code

SERIES NAME	COLOR	LENGTH	POWER	CABLE ENTRY
LNS PIXEL RGBW	27 = 2700K	5000=5M/196.85"	014=14W	F=FRONT
	40 = 4000K			S=SIDE
	53 = 5300K			B=BOTTOM



Front Cable Entry
Suitable for power feed in or straight connection. Do not bend down or aside too sharp.



Side Cable Entry
It can achieve perfect seamless light connection if the cabling space is allowed on the side.



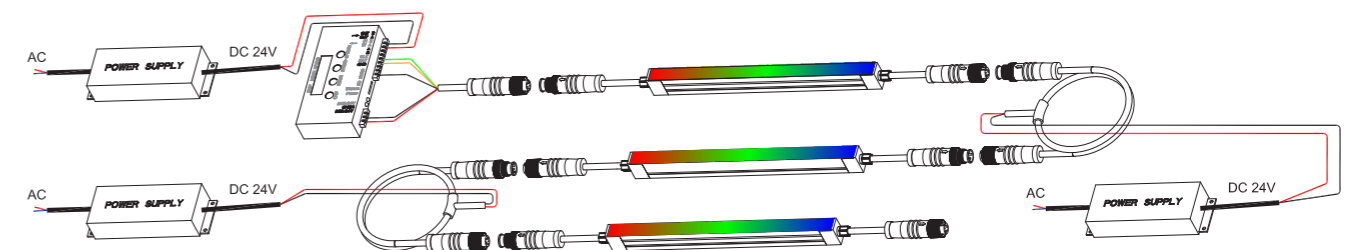
Bottom Cable Entry
It can achieve perfect seamless light connection if the cabling space is allowed from the bottom.

Eg: LNS PIXEL RGBW40-02500-014-F: LINIO NEON 1220 SV PIXEL RGBW, W=4000K, 2.5M/reel, 14W/M, Front cable entry

Accessories

Art.#	Description	Picture	Art.#	Description	Picture
SC002	1m anodized aluminium channel for LINIO NEON 1220 SV		MF022	Extension connectors, 1m IP67, 5PIN	
M0003	Clips 20mm 316L (Clip required every 25cm, stainless steel)		MF023	Extension connectors, 5m IP67, 5PIN	
E0004	End cap with 30cm cable 5PIN for LINIO NEON 1220 SV RGBW		XLG-150-24-A	PSU 24V/150W IP67, Non-dimmable, White, 100-305V supply	
E0005	Closed end cap for LINIO NEON 1220 SV RGBW		K-1000C	SD Card program Controller DC5-24V, 2W output, 128MB-3GB capacity.	
G0002	Silicone glue		SM-XMQ 1000A	Coder 9PCS built-in effects, only support DMX512 protocol chip.	
MF021	Male and female connectors, 30cm IP67, 5PIN		T-780K	DMX Controller · DC5-24V, 8 channels, 5W output, Madrix system compatible.	

Wiring connection



Application



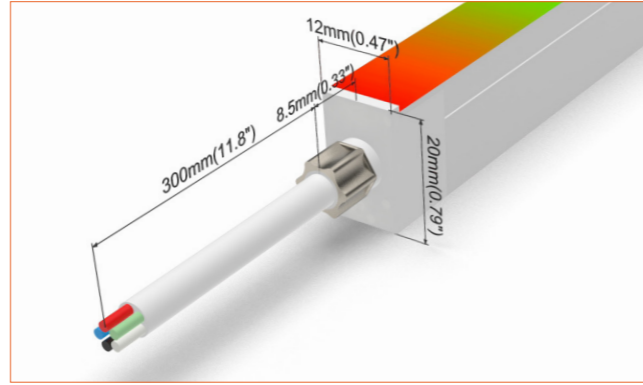
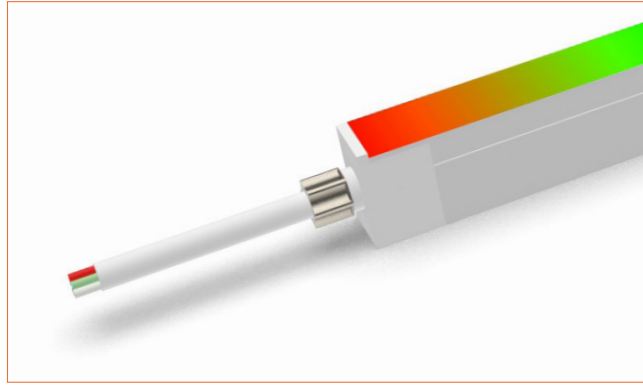
Where to use the product?

LINIO NEON 1220 SV PIXEL RGBW is pixel neon flex and each RGBW LED pixel (group of 10 LEDs) is individually addressable, so you can set the color for each one independent of every other pixel. You can create custom lighting animations and eye-catching dynamic lighting effects like chasing lighting effect, rain lighting effects.....with DMX controllers.

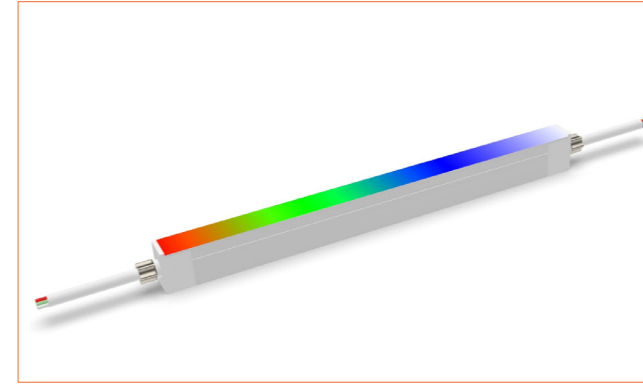
When it comes to video lighting effects and impressive dynamic lighting effects, our LINIO NEON 1220 SV PIXEL RGBW is perfect solution for you. It is a great choice for stage lighting, architectural lighting and decorative lighting.

Beamever

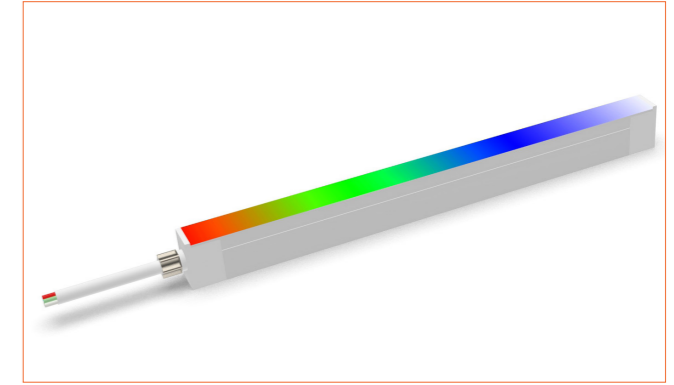
Front Cable Entry
Suitable for power feed in or straight connection. Do not bend down or aside too sharp.



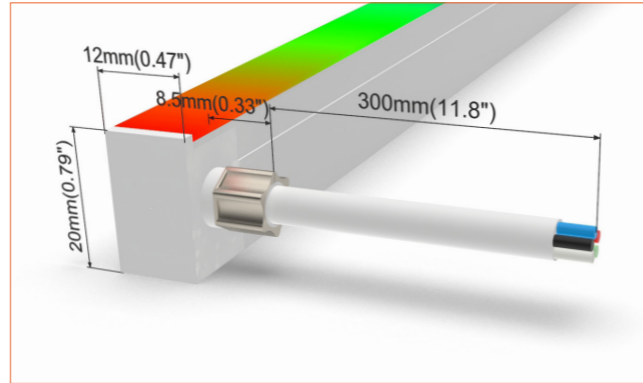
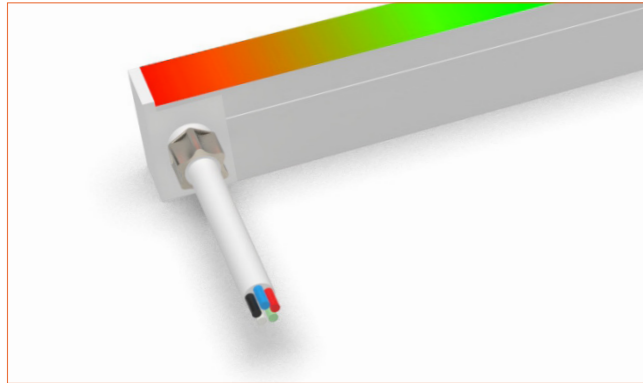
Front double wire end: 30cm cable from two ends, front cable entry.



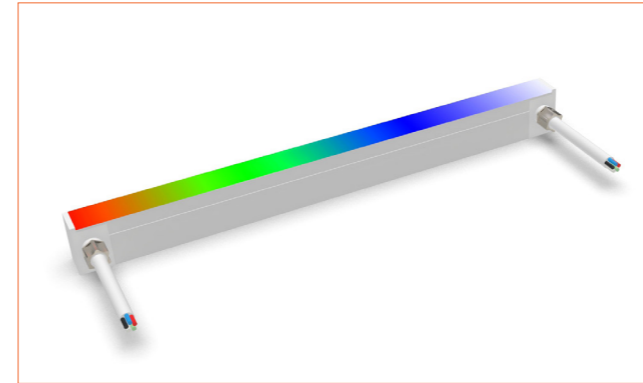
Front single wire end: 30cm cable from one end, front cable entry.



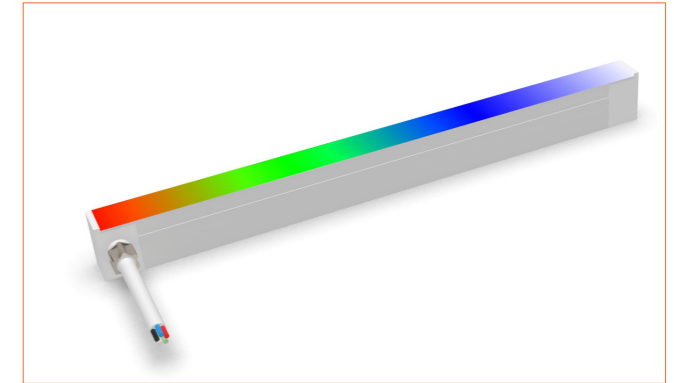
Side Cable Entry
It can achieve perfect seamless light connection if the cabling space is allowed on the side.



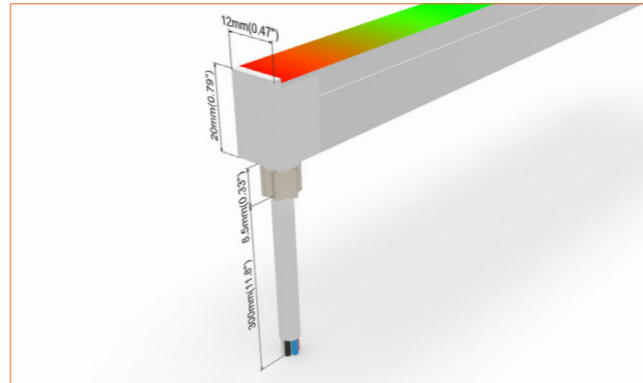
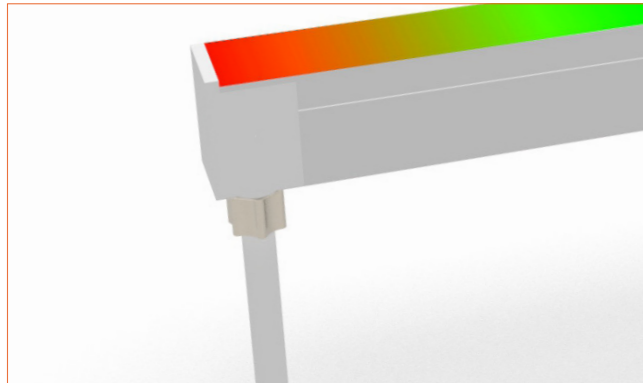
Side double wire end: 30cm cable from two ends, side cable entry.



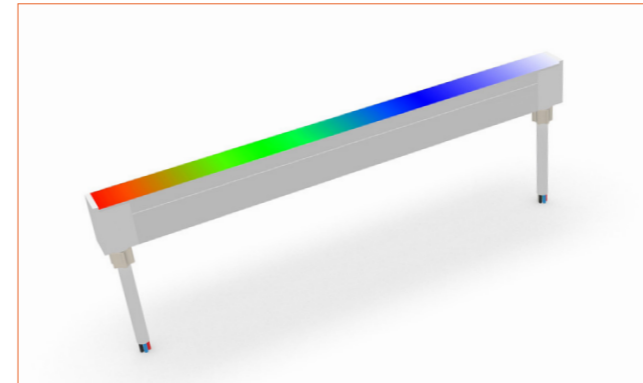
Side single wire end: 30cm cable from left one only (side cable entry), other end with closed end cap.



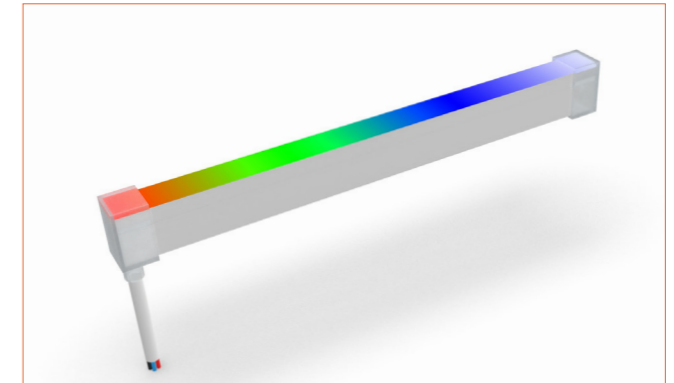
Bottom Cable Entry
It can achieve perfect seamless light connection if the cabling space is allowed from the bottom.



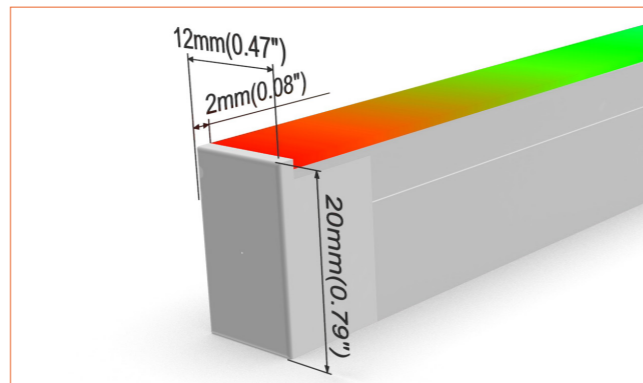
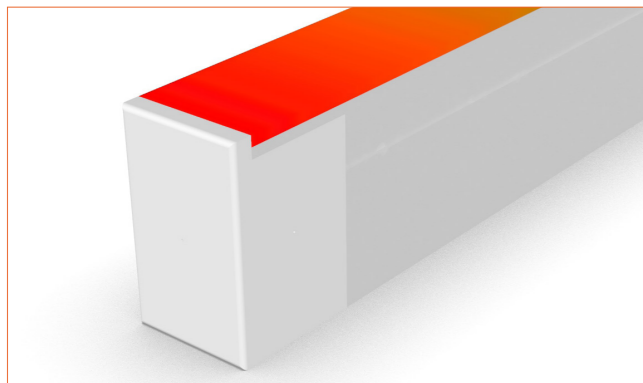
Bottom double wire end: 30cm cable from two ends, bottom cable entry.



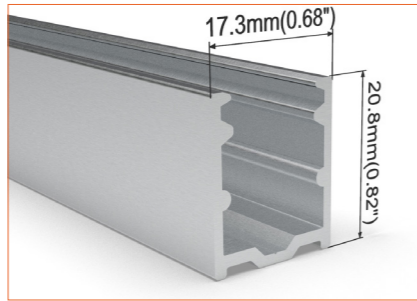
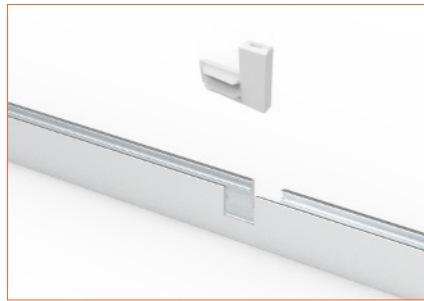
Bottom single wire end: 30cm cable from left one only (bottom cable entry), other end with closed end cap.



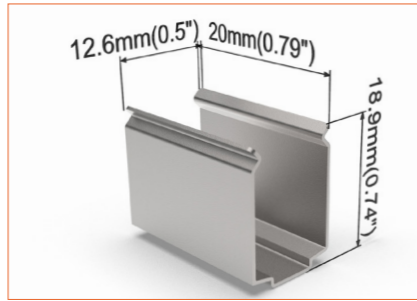
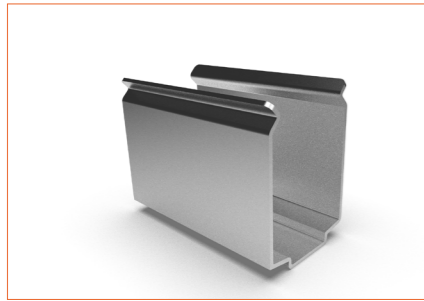
Closed end cap
Elegant injecting closed end cap in same size as neon flex body.



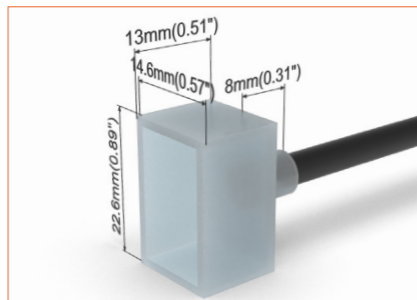
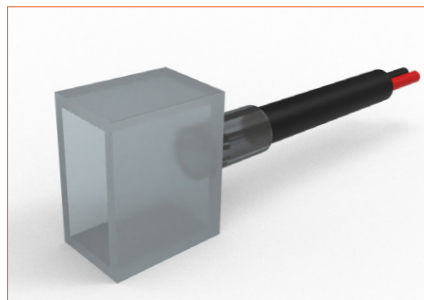
Beamever



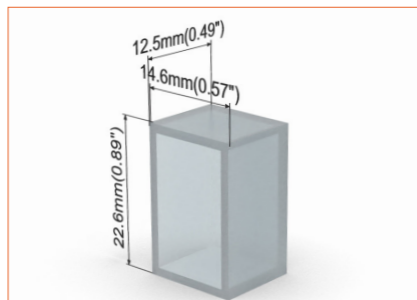
SC002
Straight aluminium channel
Length 1mtr



M0003
Stainless steel mounting clip



E0004
End cap with 30cm cable



E0005
Closed end cap



Beamever

Address: 100 N Howard St Ste R,
Spokane, WA, 99201-0508 USA
Tel: 323-5104660
info@beamever.com
www.beamever.com