

Beamever

LINIO NEON 1615 TV TW

IP67 protection with high performance silicone, UV resistant, solvents resistant. Seamless line in 30Mtrs roll.

One BIN Only to ensure perfect color consistency



Beamever

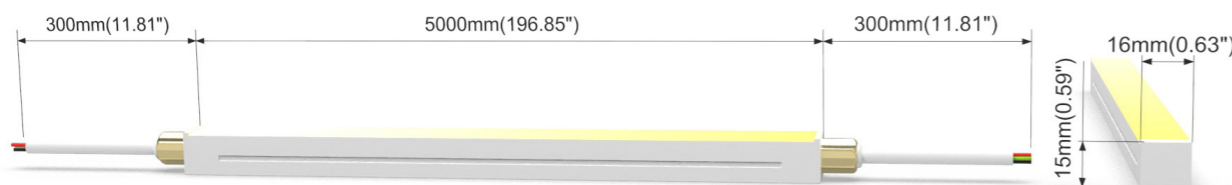
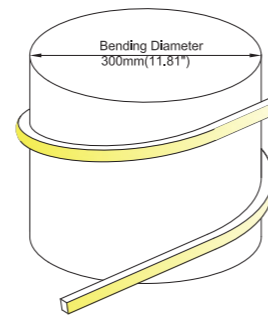


LINIO NEON 1615 TV TW

- Top view, Vertical bending with radius of 150mm / 5.9".
- DC24V, Cross section size 16mmx15mm/0.63" x0.59" (WxH).
- IP67 protection with high performance silicone, UV resistant, solvents resistant.
- 30M/reel maximum. Max. Run length refers to single side feed in serial connection.
- Easy to be cut and reconnected at project sites. Custom length are available as well.
- White Adjustable from very warm white 2700K to cool white 5300K.

Product Benefits:

- Homogeneous light effect & high light efficiency.
- Extremely durability and flexibility thanks to high performance materials.
- Not just good-looking but also weatherproof.

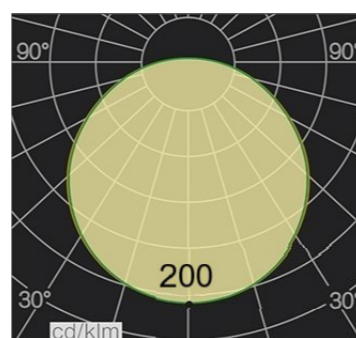


Electrical data

Voltage	DC24V (23.5V _{min} 24.5V _{max})
LED PIN Temperature	Max. 65°C /149°F
Storage Temperature	-25°C /-13°F _{min} 60°C /140°F _{max}
Ambient Temperature	Ta _{min} =-25°C /-13°F; Ta _{max} =35°C /95°F@15W Ta _{max} =45°C /113°F@7.5W(Single Color)
Power(W/m W/ft)	15/4.6
Efficacy(lm/W)@5300K	68
CRI	80



CCT	LM/Mtr	Max. Watt (W/M)	Max. Run Length (M)	Unit Cut (MM)
2700K	514	7.5	5	50
5300K	511	7.5	5	50
2700K+5300K	1024	15	5	50



Important notice

- The given data are typical values due to the tolerances of the production process and the electrical components, values for light output and electrical power can vary up to 10%.
- The given color temperature is neon flex (after extrusion) color temperature.
- Standard cable length is 30cm, if longer cable required, please contact us.
- Male and female connectors are available if needed.
- It is IK08 rated. Please use protection materials if it is walk over application.



Order code

SERIES NAME	COLOR	LENGTH	POWER	CABLE ENTRY
LNT TW	2753= 2700+5300K	05000=5M/196.85"	015=15W	F=FRONT S=SIDE B=BOTTOM



Front Cable Entry
Suitable for power feed in or straight connection. Do not bend down or aside too sharp.



Side Cable Entry
It can achieve perfect seamless light connection if the cabling space is allowed on the side.



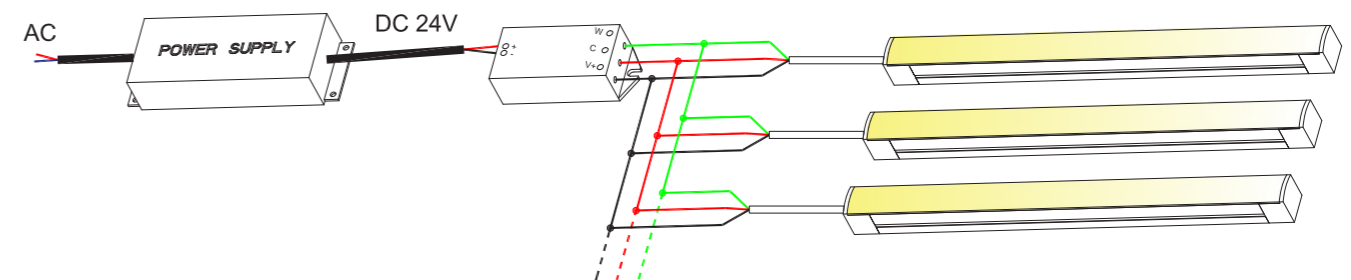
Bottom Cable Entry
It can achieve perfect seamless light connection if the cabling space is allowed from the bottom.

Eg: LNT TW 2753-01500-015-F: LINIO NEON 1615 TV TW 2700K+5300K, 1.5M/reel,15W/M,Front cable entry

Accessories

Art.#	Description	Picture	Art.#	Description	Picture
SC001	1m anodized aluminium channel for LINIO NEON 1615 TV		MF015	Male and female connectors, 30cm IP67, 3PIN	
BC001	Clips 20mm 316L (Clip required every 25cm, stainless steel)		MF016	Extension connectors, 1m IP67, 3PIN	
M0002	Clips 20mm 316L (Clip required every 25cm, stainless steel)		MF017	Extension connectors, 5m IP67, 3PIN	
E0002	End cap with 30cm cable 3PIN for LINIO NEON 1615 TV		XLG-150-24-A	PSU 24V/150W IP67, Non-dimmable, White, 100-305V supply	
E0003	Closed end cap for LINIO NEON 1615 TV		ELG-150-24B	PSU 24V/150W IP67, 3 in 1 dimming function, White, 100-305V supply	
G0002	Silicone glue		M2+M3-3A	Tunable white controller, DC24V, 3A*2Channel, Max 6A IP20, Support remote control	

Wiring connection



Application



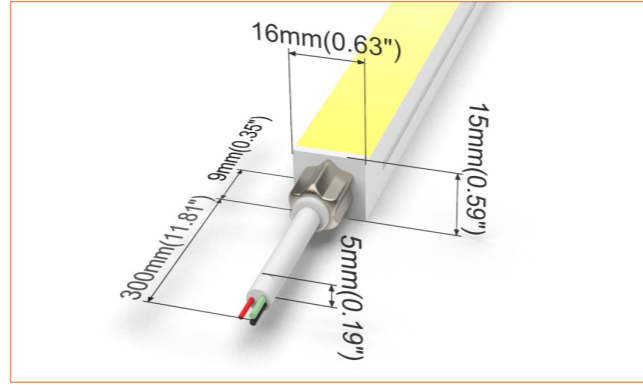
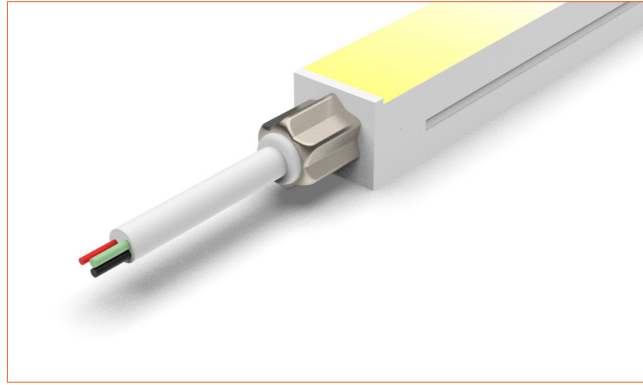
Where to use the product?

It can bring you homogeneous lighting, effectively and elegantly highlighting certain areas in architectural lighting projects and tracing straight, curved and even round contours with even lighting. With cold white and warm white in one neon flex, you can create a different atmosphere by changing color temperature..

It is the perfect linear solution for Architecture lighting, Wall integration, landscape lighting....all in all, there is lighting, there is LINIO NEON 1615 TV TW. Let our products bring your project to light.

Beamever

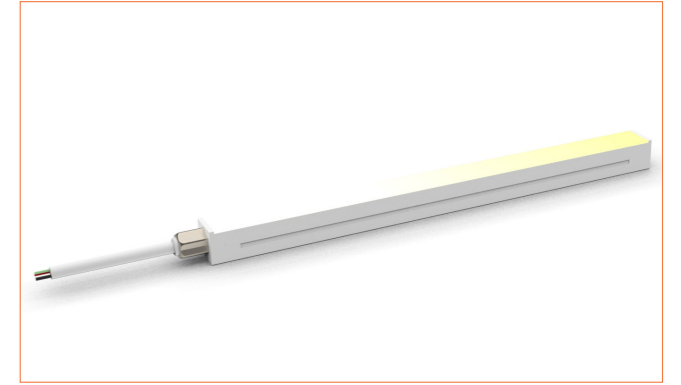
Front Cable Entry
Suitable for power feed in or straight connection. Do not bend down or aside too sharp.



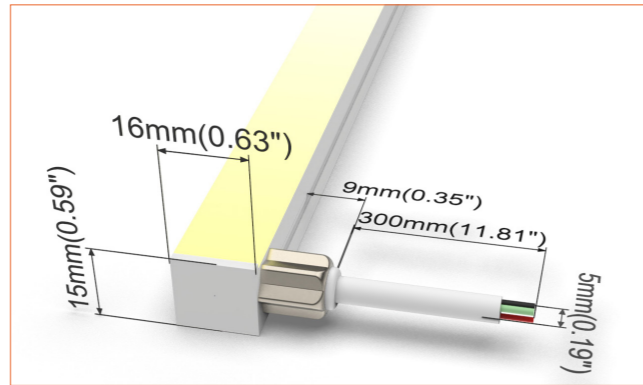
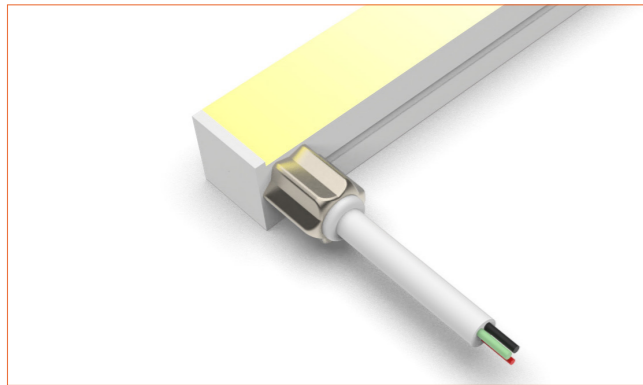
Front double wire end: 30cm cable from two ends, front cable entry.



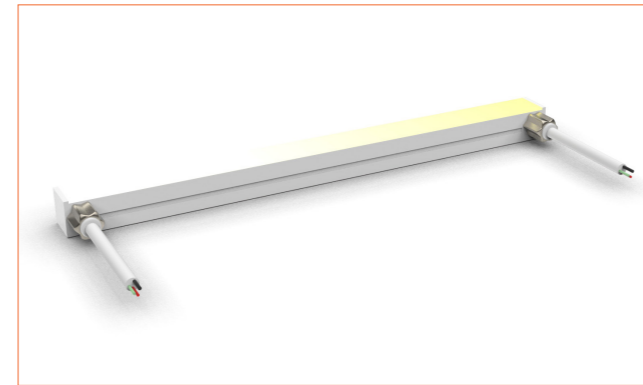
Front single wire end: 30cm cable from one end, front cable entry.



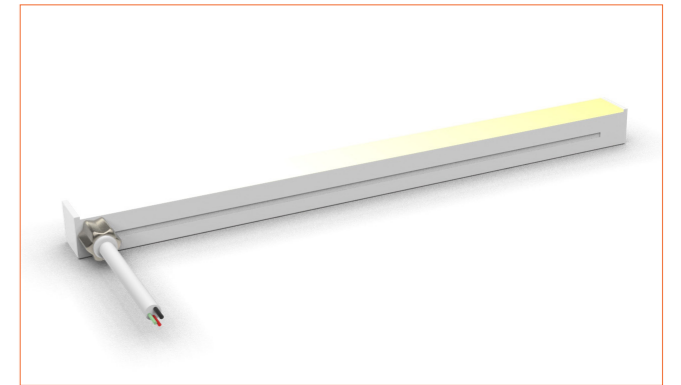
Side Cable Entry
It can achieve perfect seamless light connection if the cabling space is allowed on the side.



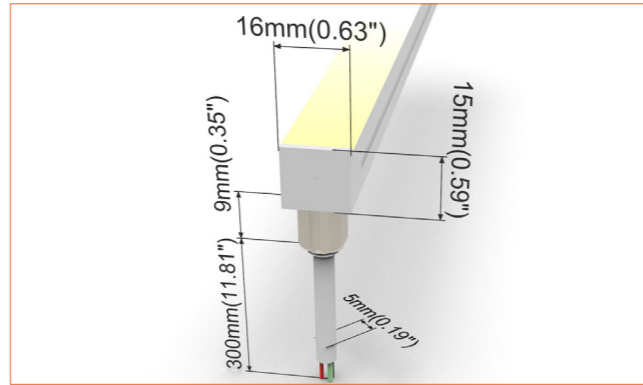
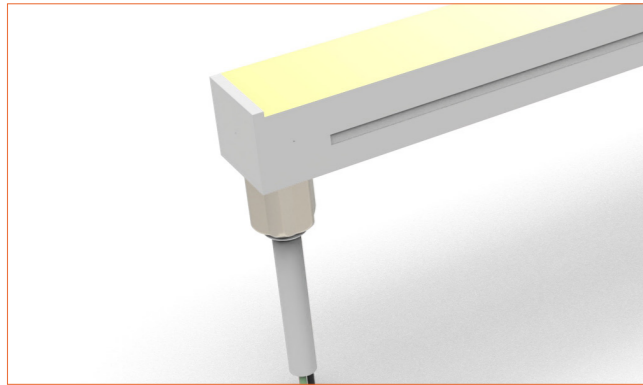
Side double wire end: 30cm cable from two ends, side cable entry.



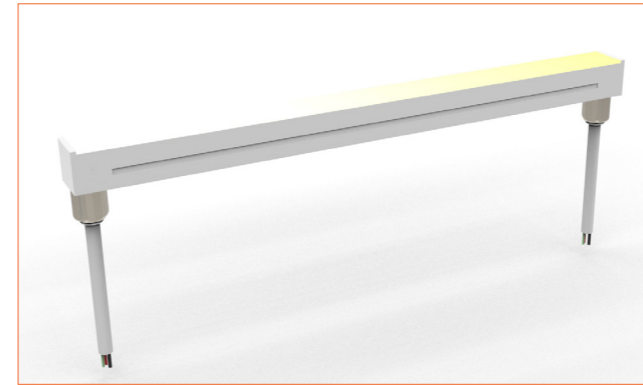
Side single wire end: 30cm cable from left one only (side cable entry), other end with closed end cap.



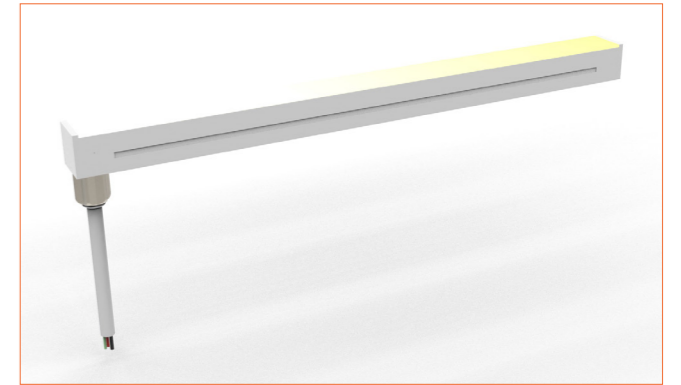
Bottom Cable Entry
It can achieve perfect seamless light connection if the cabling space is allowed from the bottom.



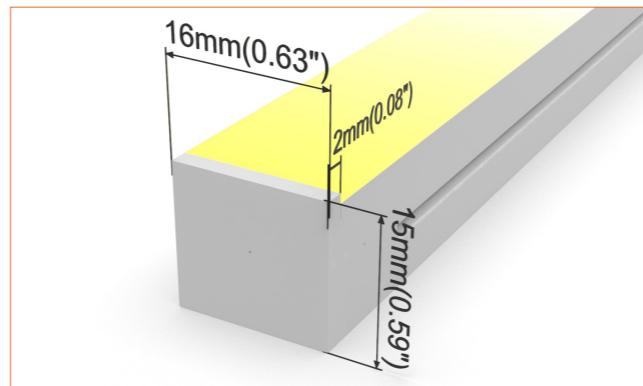
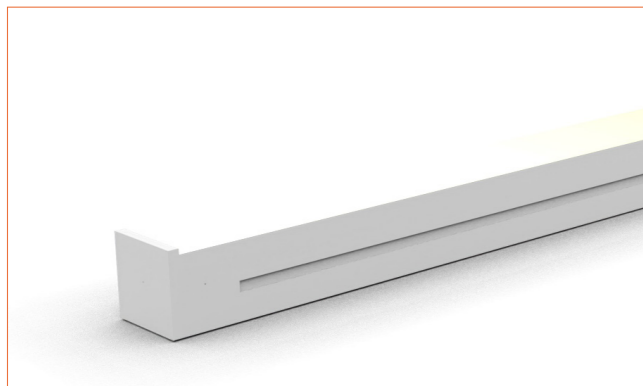
Bottom double wire end: 30cm cable from two ends, bottom cable entry.



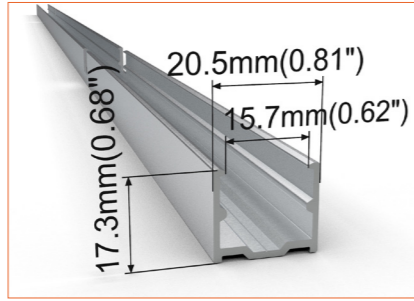
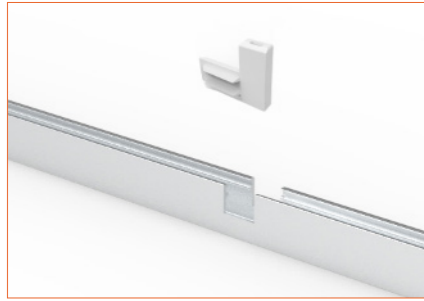
Bottom single wire end: 30cm cable from left one only (bottom cable entry), other end with closed end cap.



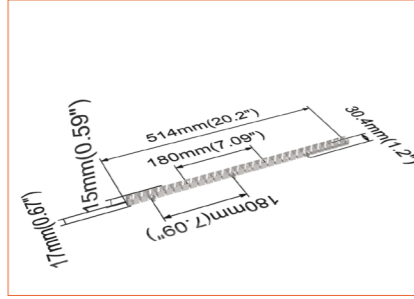
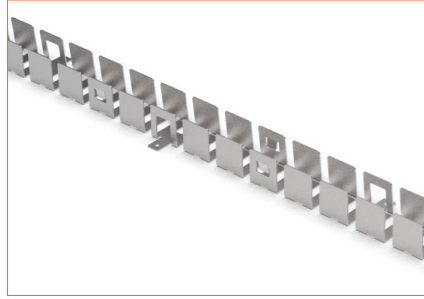
Closed end cap
Elegant injecting closed end cap in same size as neon flex body.



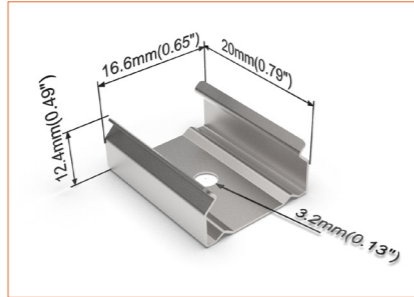
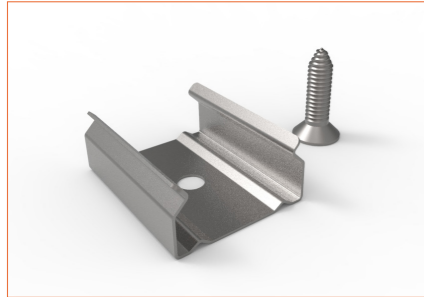
Beamever



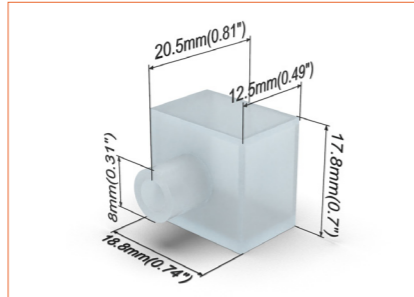
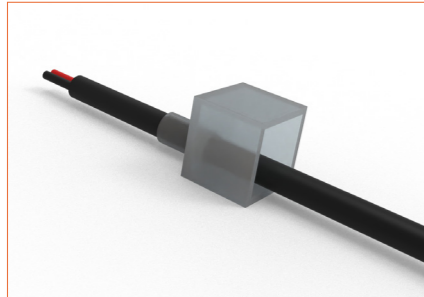
SC001
Straight aluminium channel
Length 1mtr



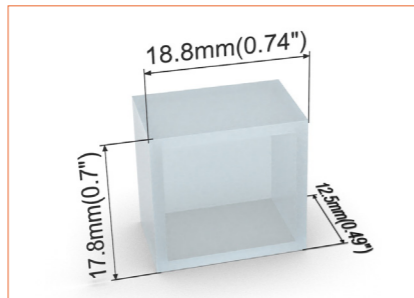
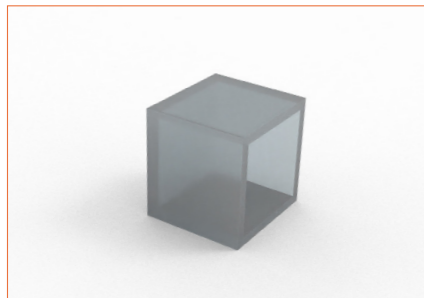
BC001
Bendable stainless steel channel
Length 0.5mtr



M0002
Stainless steel mounting clip



E0002
End cap with 30cm cable



E0003
Closed end cap

Beamever

Address: 100 N Howard St Ste R,
Spokane, WA, 99201-0508 USA
Tel: 323-5104660
info@beamever.com
www.beamever.com