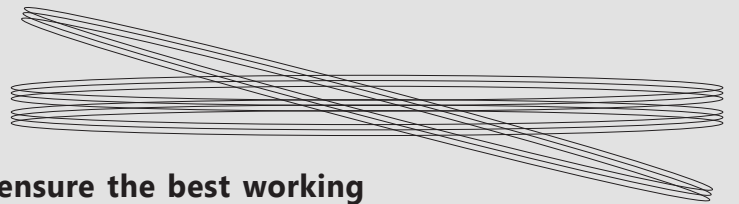




## SUNO FLEX RGB



The ambient temperature between  $-35^{\circ}\text{C}$ ~ $55^{\circ}\text{C}$  to ensure the best working performance of SUNO FLEX RGB.

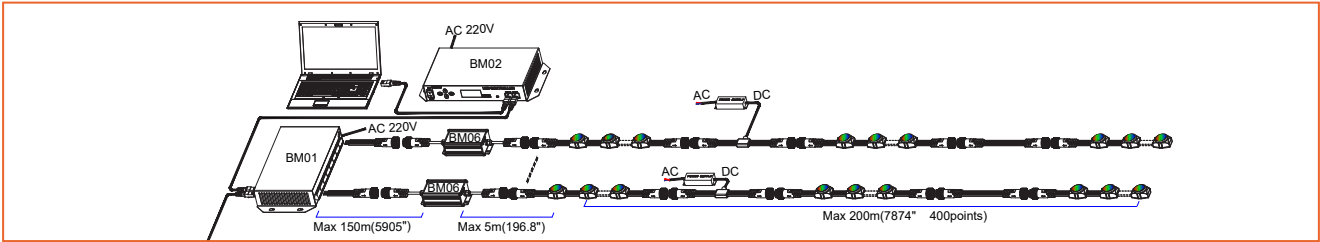
### Installation Instructions

Must ensure the person who must be qualified, full-of experienced in electrical and construction. And must meet relative regulation and standards to install luminaire.

Before installing this product, please visit the product page at [www.beamever.com](http://www.beamever.com) for the latest installation instructions.

Please do the regularly check for ensuring maintain the protection requirement, e.g.,either connection is still steady & safe.

## Verify the electrical plan and all necessary surge protection requirements



1. BM01 refers to sub controller  
BM06 refers to signal amplifier

2. The sub controller and the sub controller are connected by super five twisted shielded network cable ( $8 * 0.5\text{mm}^2$ ), with a maximum length of 80m

3. The sub controller and the signal amplifier are connected by super five twisted shielded network cable ( $8 * 0.5\text{mm}^2$ ), with a maximum length of 150m

4. The distance between the signal amplifier and the first luminaries is 1.5m at most; The distance between lighting fixtures is 5m at most

5. Each signal amplifier can control up to 400 pixels or up to 200 meters; In general, offline master uses network port A:

6. The total power of each circuit branch cannot be more than 80% of the total power of the power supply.

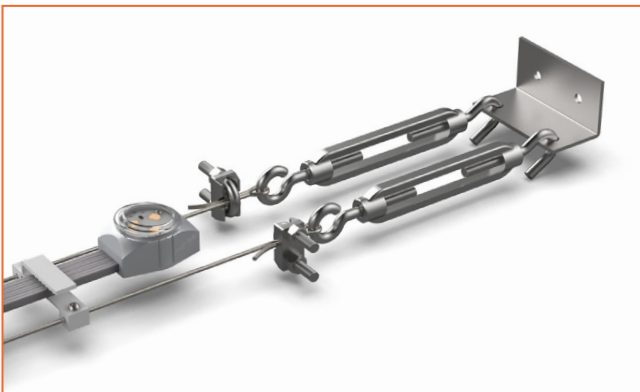
7. Lightning protection system must be installed in the distribution box

8. During installation, the input terminal of switching power supply must be well grounded

9. The output wire size of switching power supply is calculated according to the power of lighting fixtures and the actual situation on site

10. Please use power supply with constant voltage DC24V to feed luminaries. Max Run Length is 10 at one point power feed and make sure no less than 21.5V to supply it. Besides, if exceed 10 units, please split into multiple circuit branch.

## Installation Options



### Stainless Wire Installation

**(If you chooses stainless-wire installation, we will have assembled the luminaires with stainless wires before shipment.)**

Step 1: To put the luminaires to the pre-arranged installation position.

Step 2: To fix the two ends of the stainless wire.

Step 3: Ensure they are steady and connect safety with each other between lights and stainless wire.



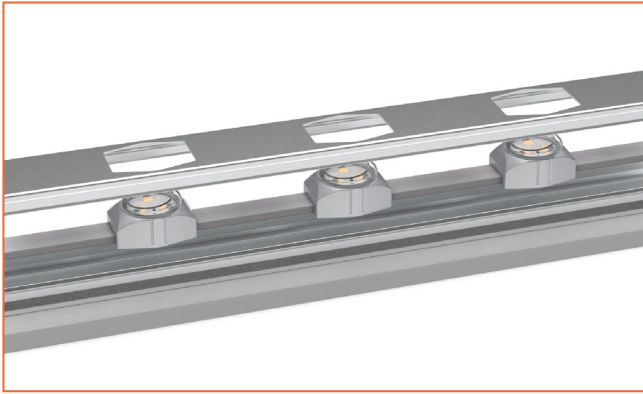
### Aluminum Profile Installation

**(Aluminum profile includes the cover and mounting base )**

Step 1: Apply screws for steadying aluminum mounting base in required-position.

Step 2: Place the luminaires into aluminum mounting base.

Step 3: Clip cover into the mounting base.



## Stainless Mounting Clip Installation

Step 1: Place luminaires and clips in required-position.

Step 2: Apply screws for steadying them.

Step 3: Ensure all clips, lights, and screws are stable.

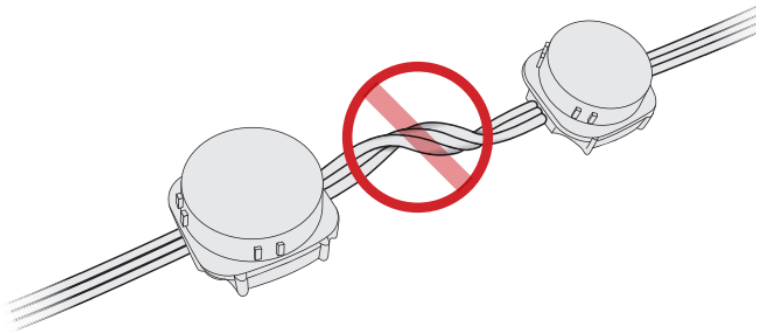
---

## Use caution when installing luminaire nodes

In the replacement and maintenance of products, make sure to cut off all the power before start maintenance, in order to prevent electric shock or short circuit. After troubleshooting, it is necessary to correctly install the various components to ensure that the electrical and structural requirements meet the original requirements and then connect power.

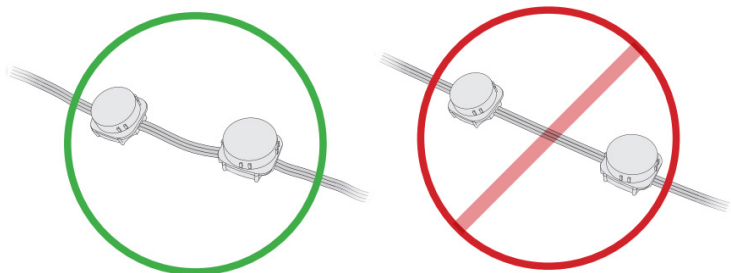
### Do not twist or loop cable

It is very important to ensure the safety and integrity of the accessories. Do not twist or loop with the cable easily. Because it is very dangerous, which can cause accessories damage and potential personal safety.



### Do not over stretch cable

Cables are important for a durable and safe lighting project. So please don't play around or over-stretch them. This might cause any damage to the cable, and affect the lighting effect.



## Additional Notice

Please note, specifications are subject to change without notice. and all information contained within this instruction manual is provided in good faith. No representation or warranty as to the accuracy or completeness of the information included herein is given and any liability for any action in reliance thereon is disclaimed.