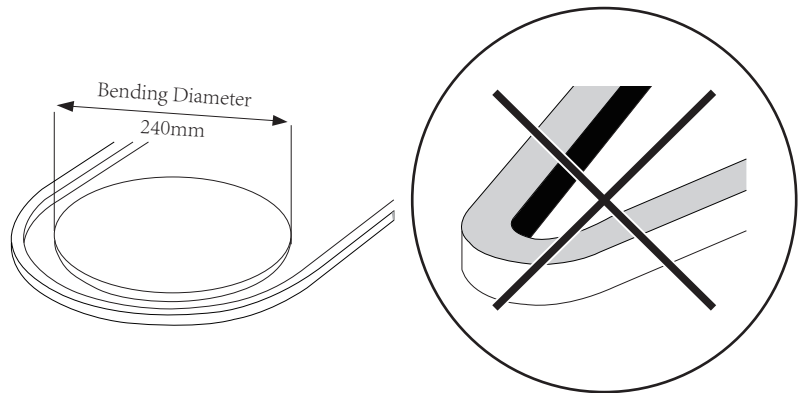
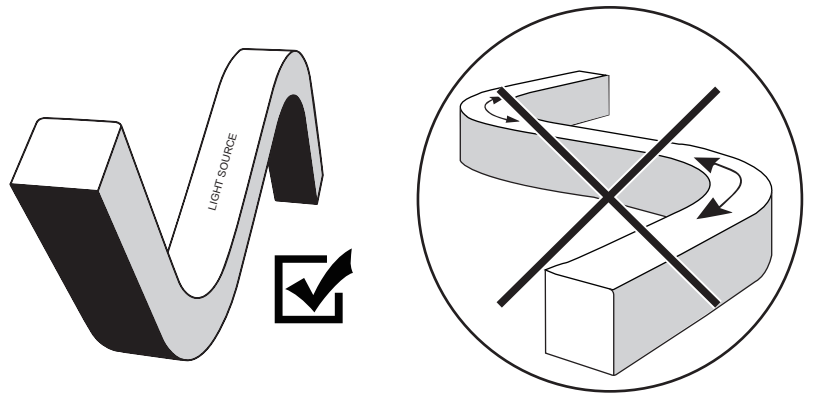
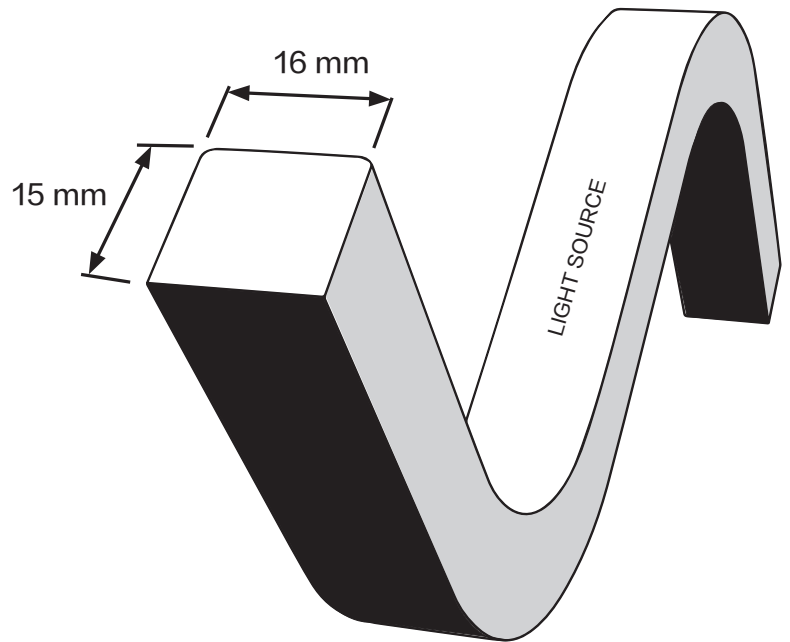
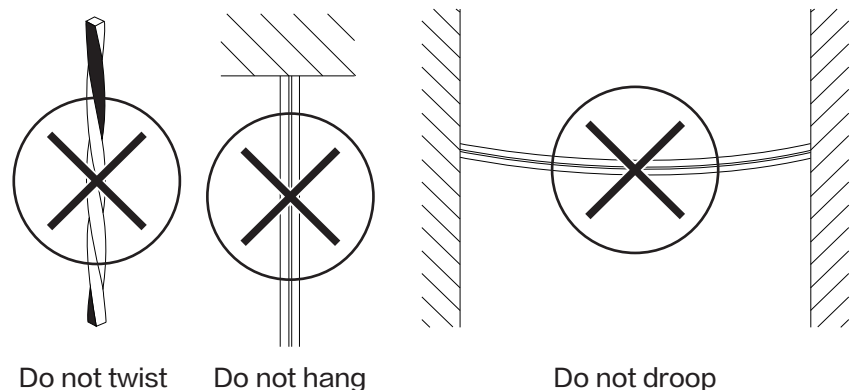


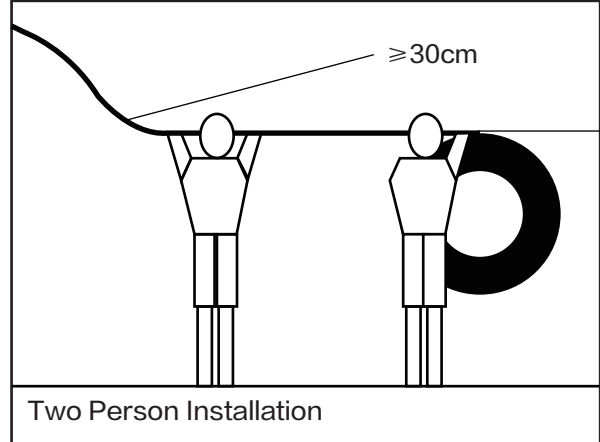
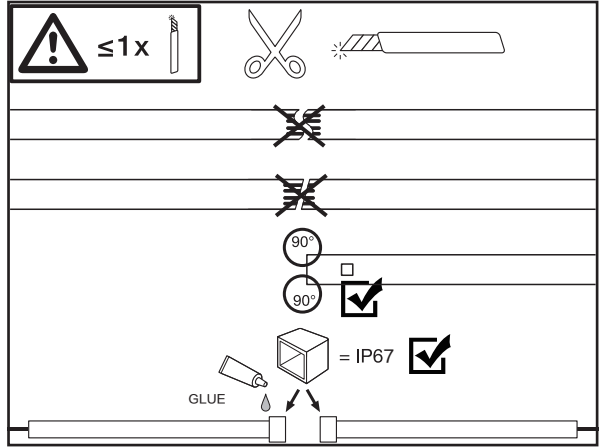
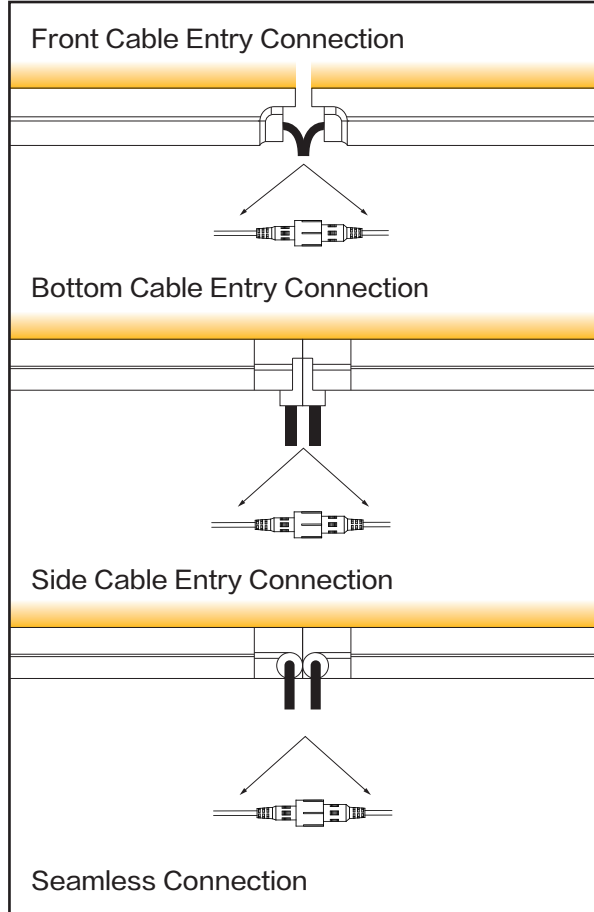
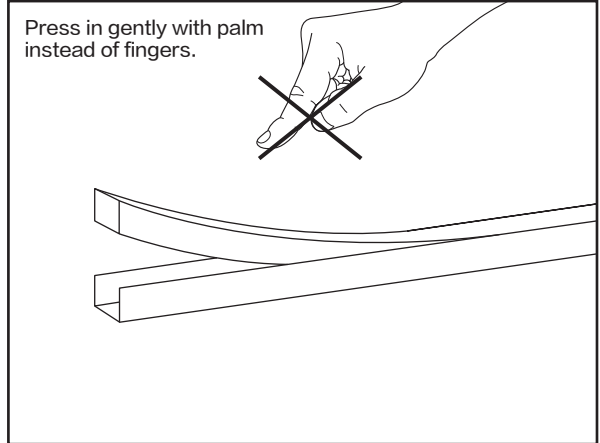
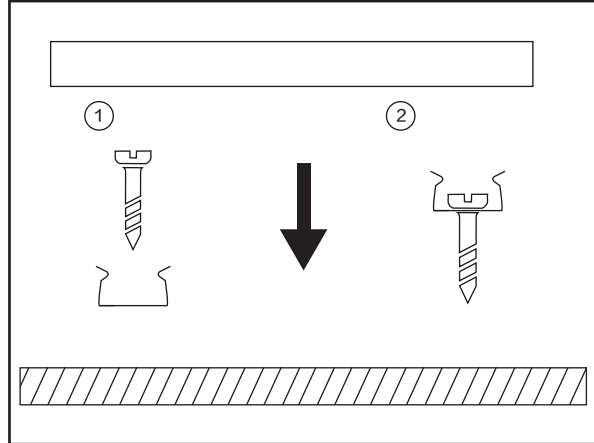
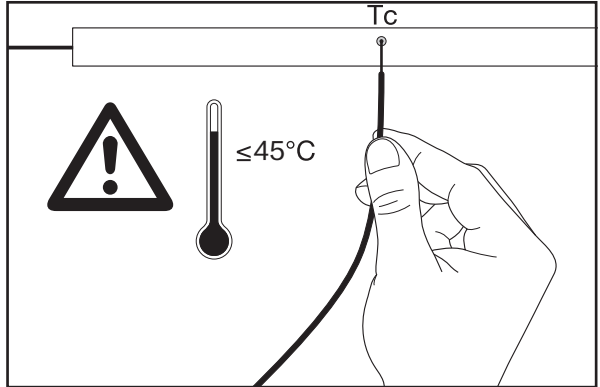
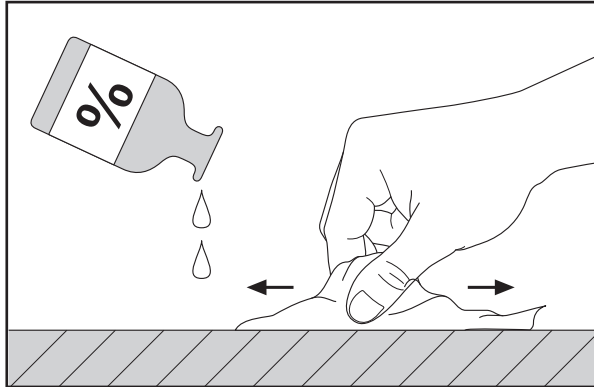
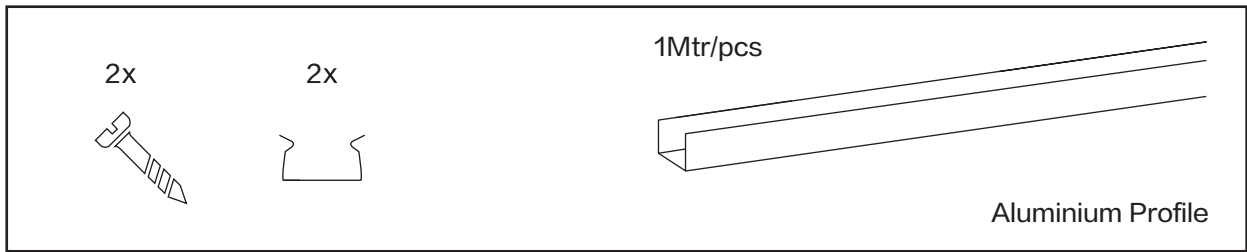
LINIO NEON 1615 TV USING INSTRUCTION

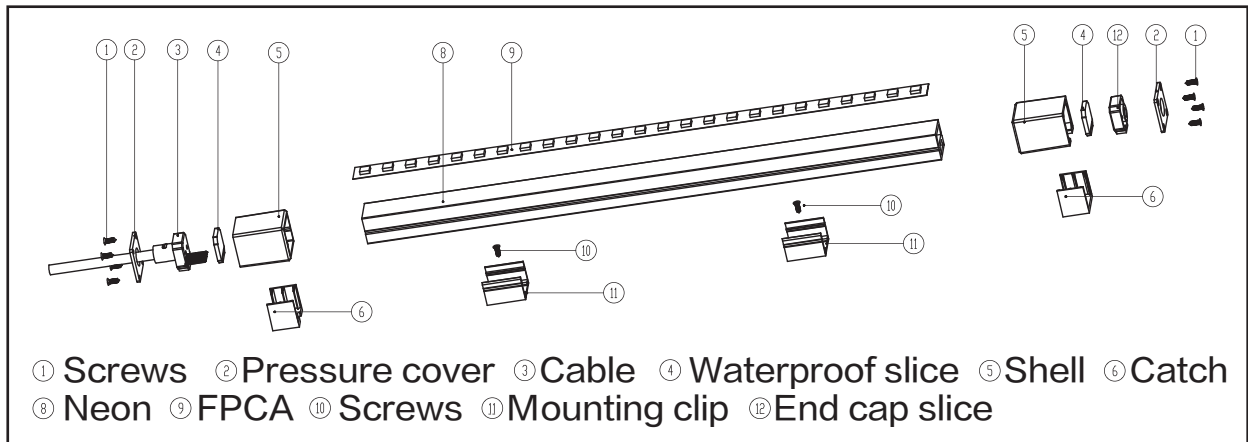
1. The most suitable operation temperature shall be -25°C to 45°C .
2. Please make sure that even during installation, the predetermined bending direction will never change. The product is TOP bending only, and it can't be twisted or side bending.
3. LINIO NEON 1615 TV shall not be bent sharply and it may cause product damage.
4. The maximum bending diameter is 240mm, over bending will damage and void any warranty.
5. During the installation, the LINIO NEON 1615 TV can not be:
 - Twisted
 - Dropped
 - Bent at a 90° angle or bent at all
 - Sagging/Hanging down
6. Please make sure the product does not stick with any paper related material directly.
7. For installation, 2 ways for your selection.
 - Mounting clips
 - Aluminium profile
8. Install the product into profile carefully and correctly, taking out and re-assembling will most likely cause the product damaged.



Warranty: All LED light are warranted to be free from defects in product itself from the date of purchase. Within this period, we, at its sole option, repair or replace any components which fail from correct use. Such repairs or replacement will be made at no charge to the customer for parts only, provided that the customer shall be responsible for transportation cost of the goods. This warranty does not cover failures due to abuse, misuse, improper handling, act of nature, negligence, normal wear, accidental damage, modifications or repairs made by the purchaser or incorrect voltage conditions.

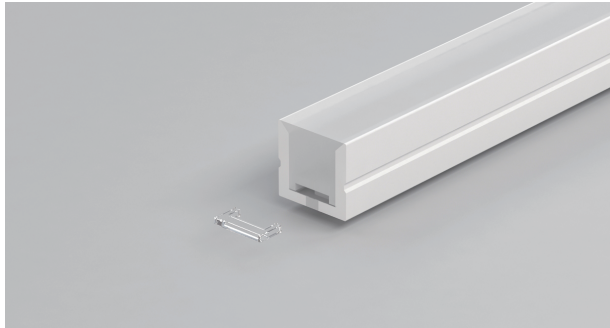




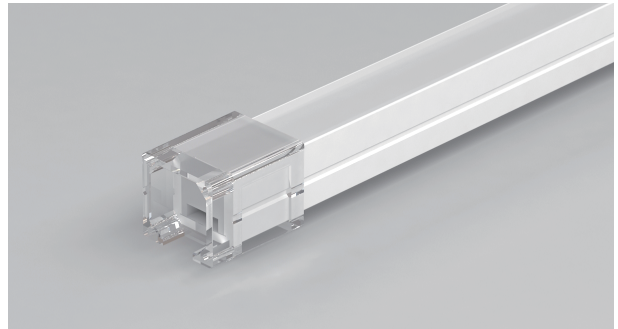
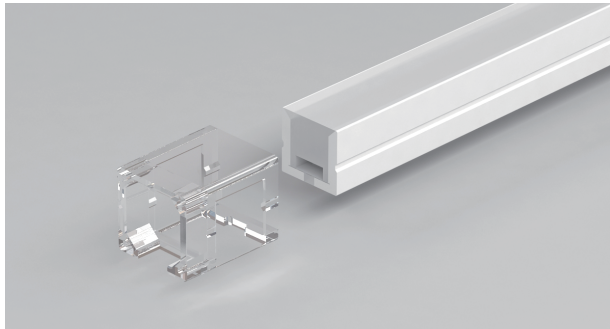


Installation of end cap with wire

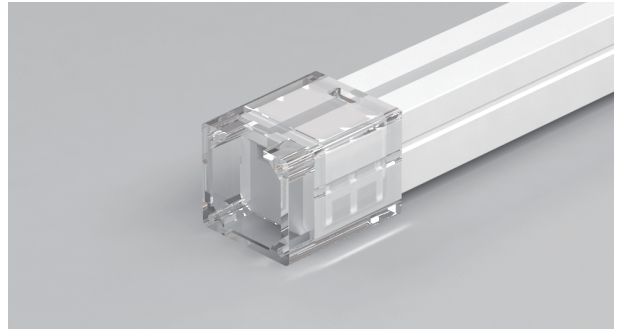
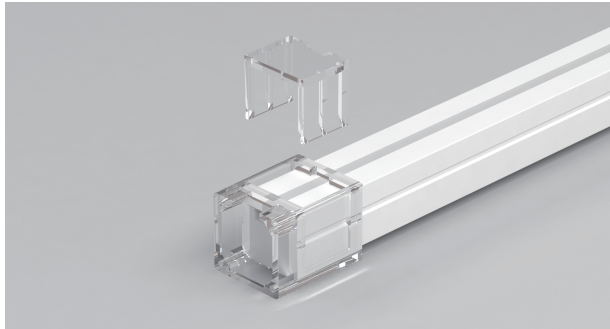
– First, insert the U button in neon.



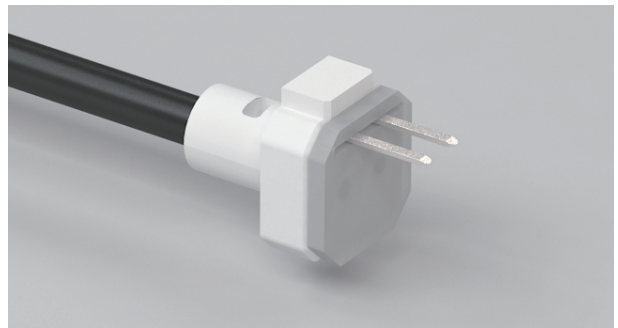
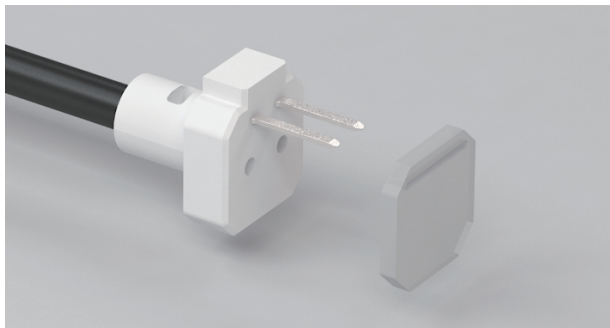
– Insert the shell and push it deeply.



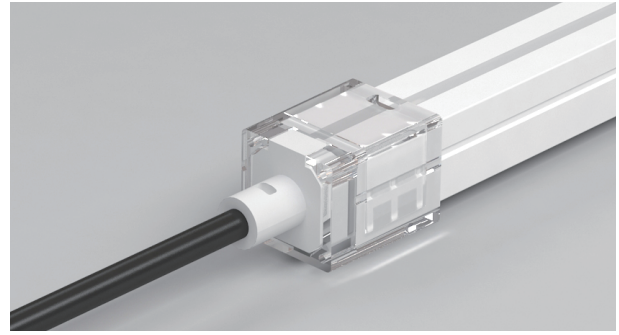
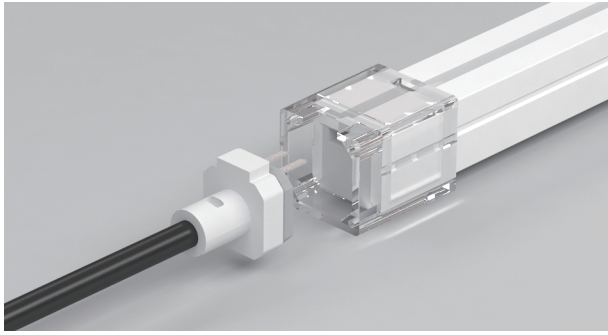
– Take out the catch and lock the catch tightly.



– Put waterproof slice on the cable.

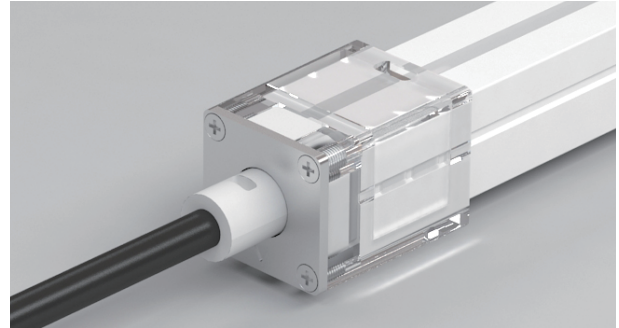
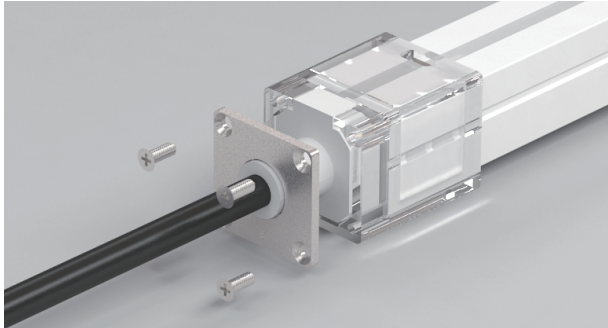


-Insert cable with waterproof slice into neon, between of PCB board and transparent board.
Please noticed under PCB. If you insert it on the PCB, it may damage the LED.



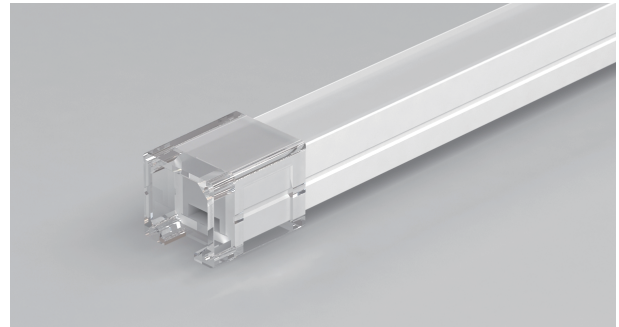
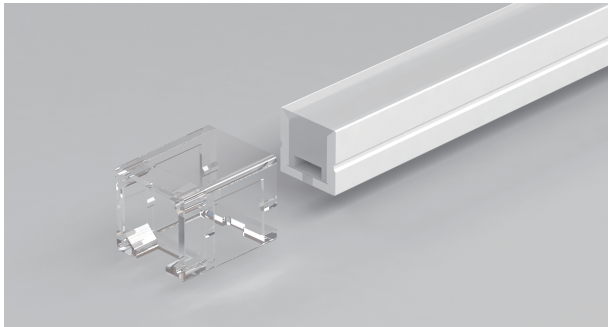
(Before installing the screws, do a quick lighting test, if it can be lit, we proceed to the next step.
If it doesn't light up, it means the previous step was wrong.)

- Close neon with pressure cover and screws.

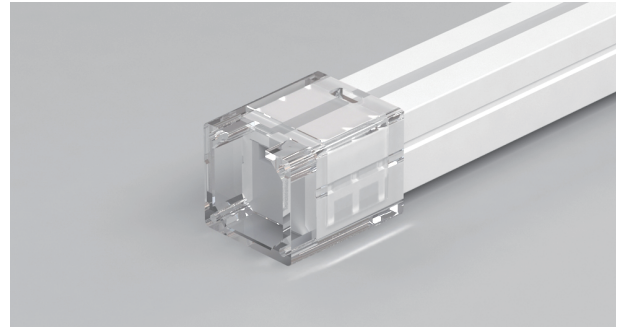
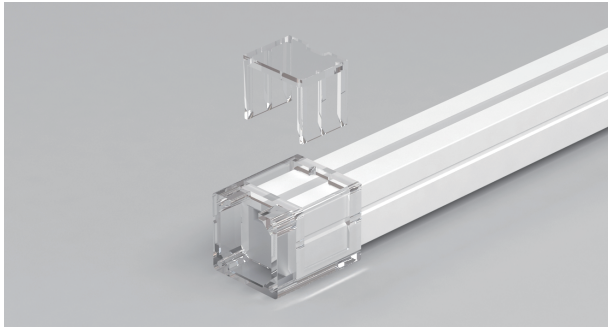


Installation of close end cap

- Insert the shell and push it deeply.



- Take out the catch and lock the catch tightly.



-Insert the end cap slice and then close the neon with pressure cover with screws.

