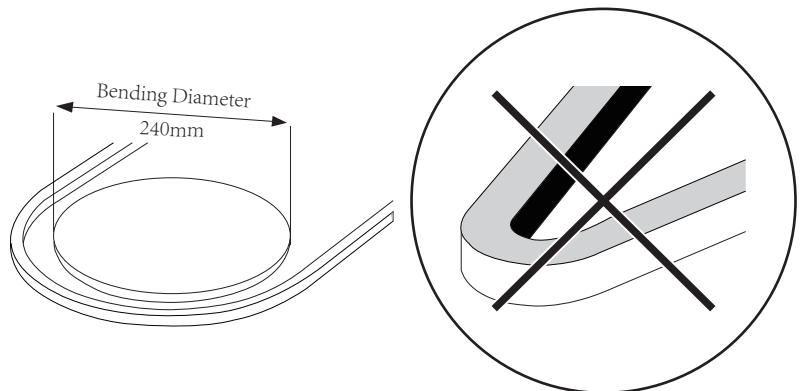
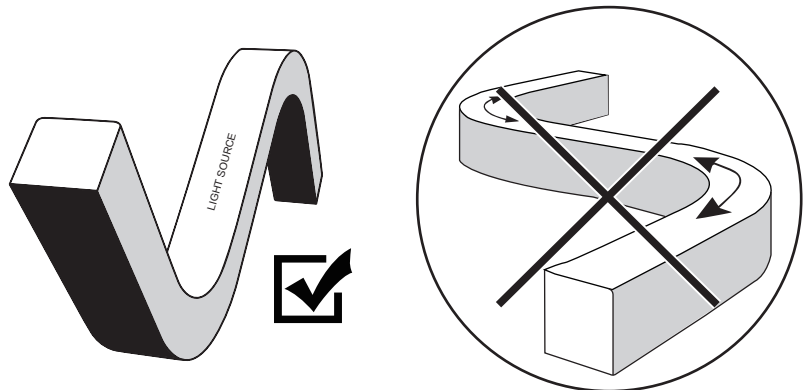
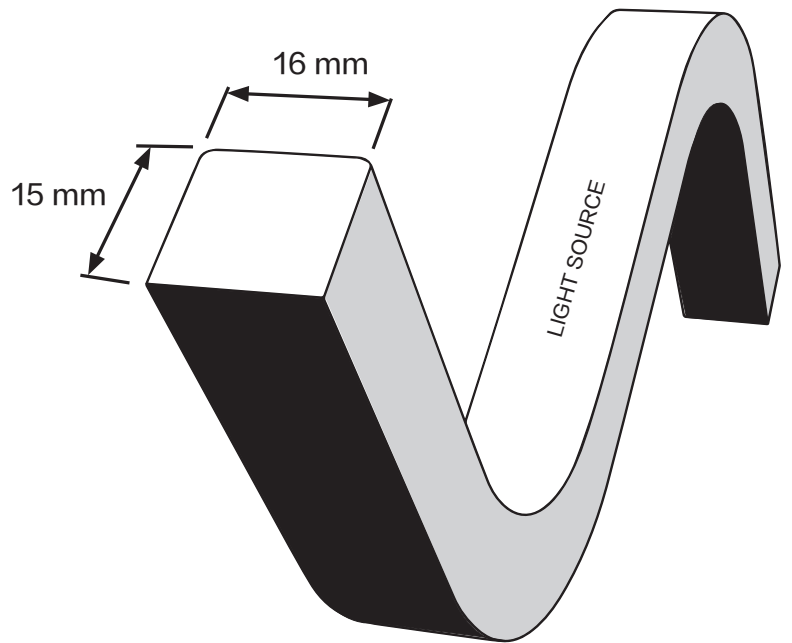


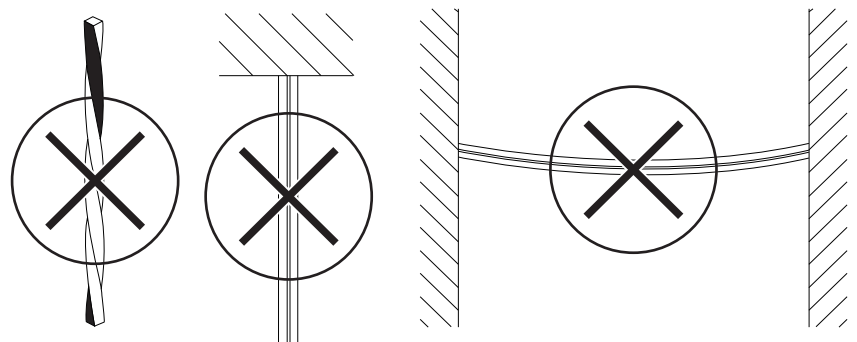
LINIO NEON 1615 TV RGBW PIXEL USING INSTRUCTION

1. The most suitable operation temperature shall be -25°C to 45°C .
2. Please make sure that even during installation, the predetermined bending direction will never change. The product is TOP bending only, and it can't be twisted or side bending.
3. LINIO NEON 1615 TV RGBW PIXEL shall not be bent sharply and it may cause product damage.
4. The maximum bending diameter is 240mm, over bending will damage and void any warranty.
5. During the installation, the LINIO NEON 1615 TV RGBW PIXEL can not be:
 - Twisted
 - Dropped
 - Bent at a 90° angle or bent at all
 - Sagging/Hanging down
6. For installation, 2 ways for your selection.
 - Mounting clips
 - Alumium profile
7. Install the product into profile carefully and correctly, taking out and re-assembling will most likely cause the product damaged.



Bend too tight

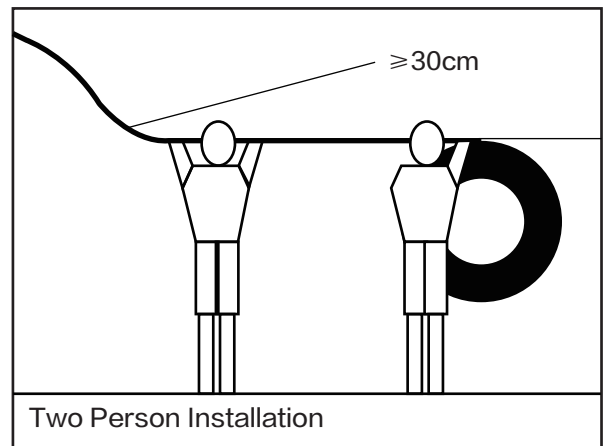
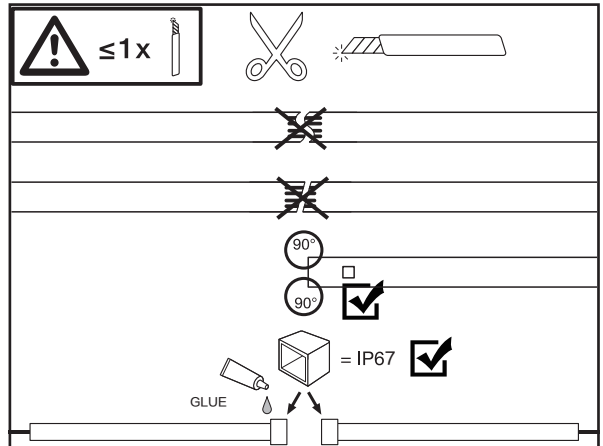
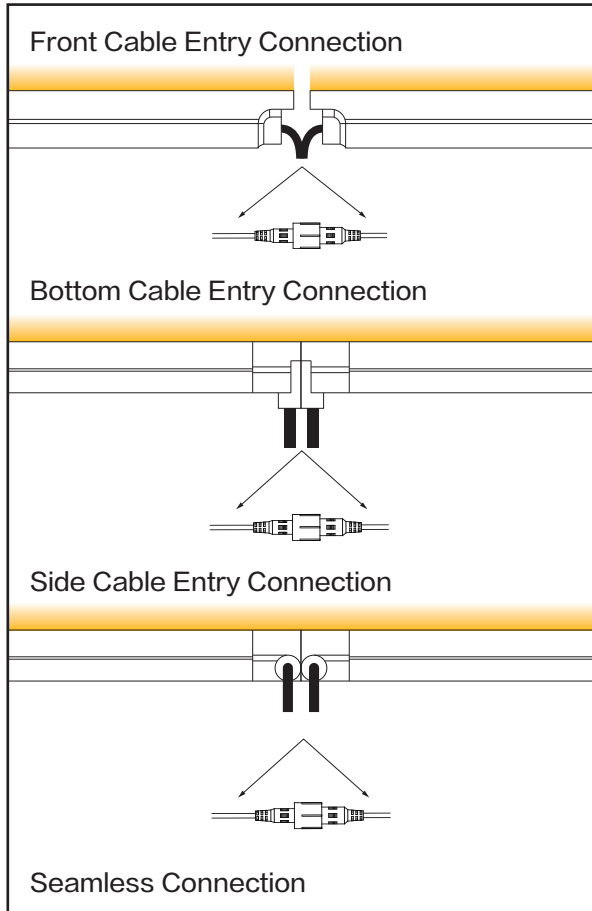
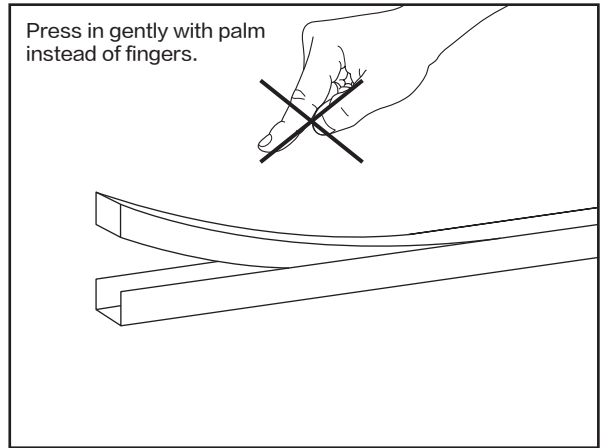
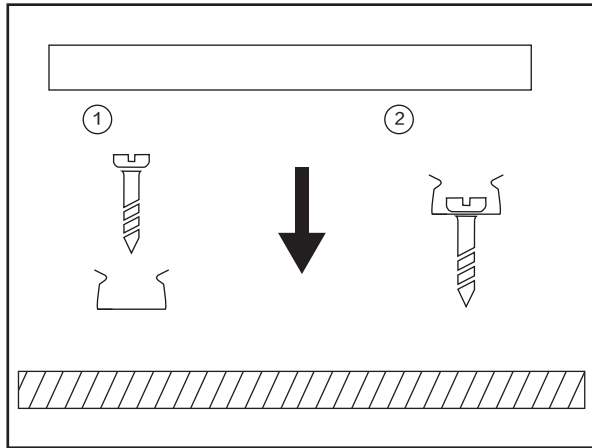
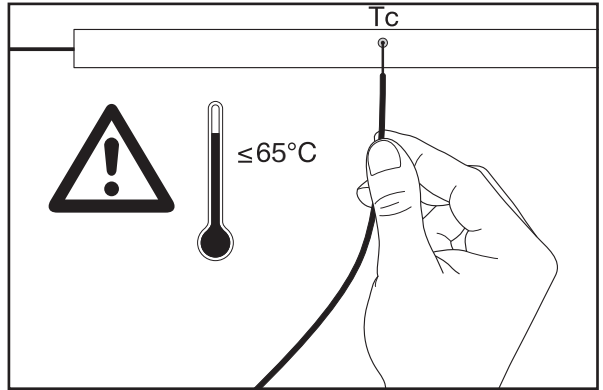
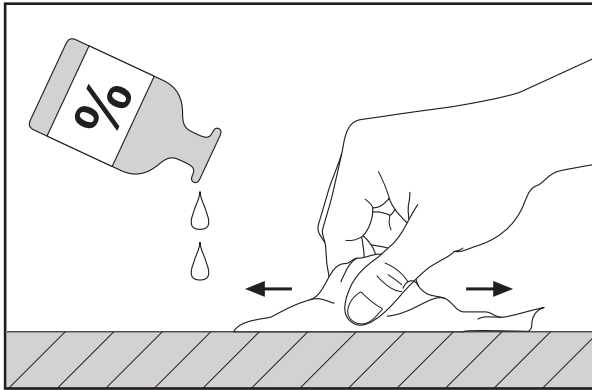
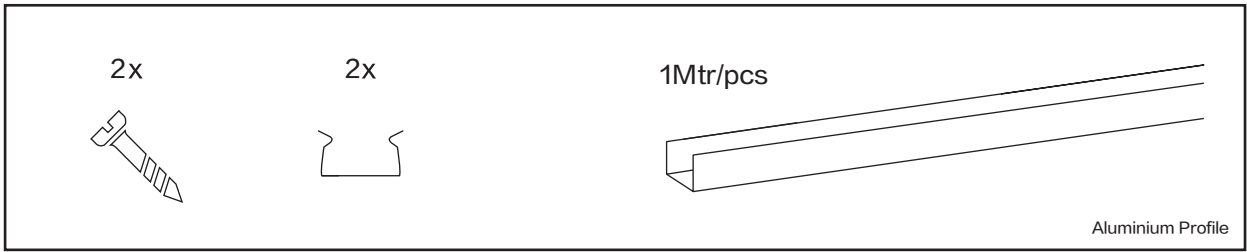
Warranty: All LED light are warranted to be free from defects in product itself from the date of purchase. Within this period, we, at its sole option, repair or replace any components which fail from correct use. Such repairs or replacement will be made at no charge to the customer for parts only, provided that the customer shall be responsible for transportation cost of the goods. This warranty does not cover failures due to abuse, misuse, improper handling, act of nature, negligence, normal wear, accidental damage, modifications or repairs made by the purchaser or incorrect voltage conditions.



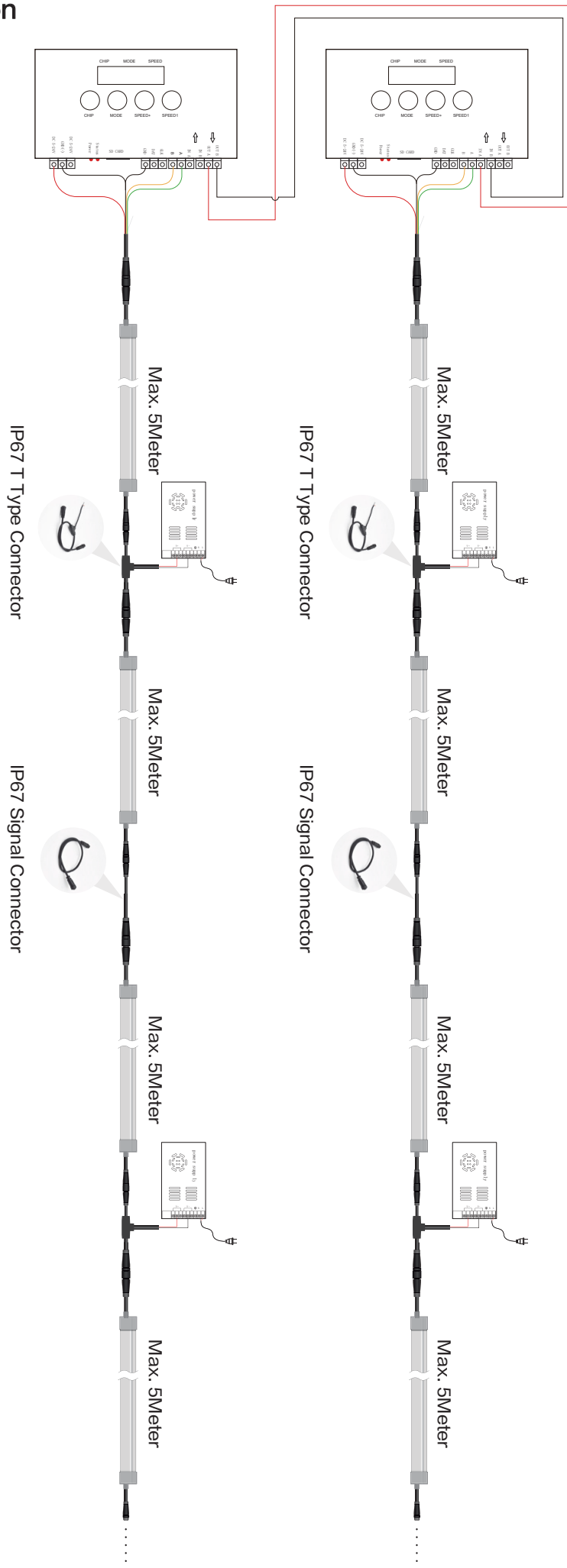
Do not twist

Do not hang

Do not droop

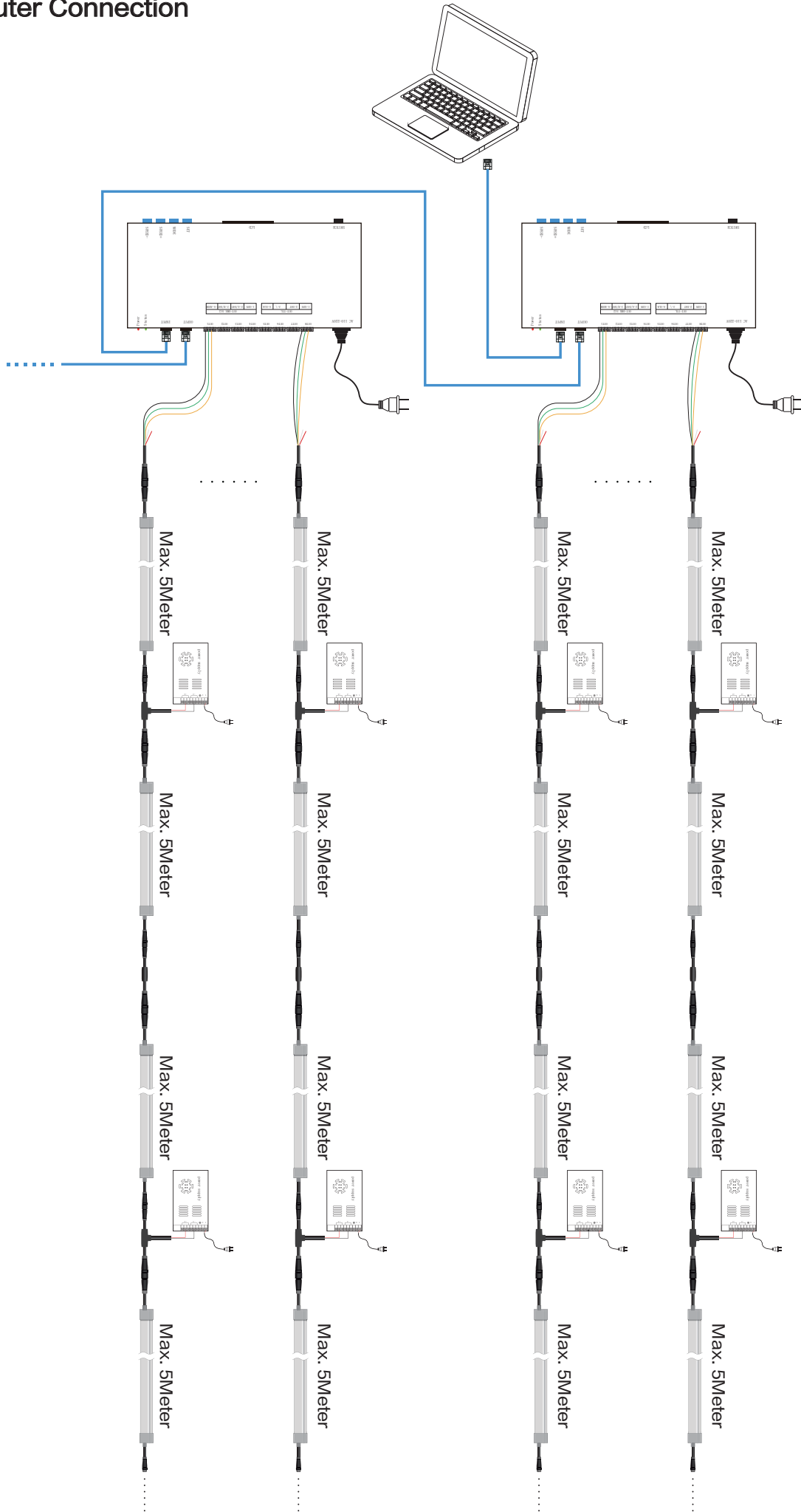


SD Card Connection



Note: If you have questions on wiring diagram, please contact our sales.

Computer Connection



Note: If you have questions on wiring diagram, please contact our sales.

ADDRESSING INSTRUCTION

Addressing is an operation which should be performed after the LED strip finished wiring and power on for the first time. There is no need to readdress the LED strip in the case of no changing on connection order.

The LED strip and controller should be connected according to below corresponding relationship table:

Wiring order of LED strip input	Controller port
Green	A
Yellow	B
Black	GND

K-1000C Operation

The K-1000C controller integrates control and addressing at one, it is only can be started to address from default initiative channel 001 to channel 512 automatically. After the addressing is completed, it will switch to the controller mode, the control effect program can run automatically without power off. The specific operation is as follows:

1. After the signal wire and the power cord are correctly connected to the neon flex and the controller, it can be powered on.
2. After the controller is turned on, please hold down the "CHIP" key first, at the same time, press the "MODE" key. Release the two buttons at the same time to enter the strip addressing interface when the controller displays "61 XX XX". As follow picture shows:



3. Press "CHIP" key to adjust the first and second displayed value to "65", the final value should be kept at "3" (If it is not number "3" but other value, it can be adjusted by the two keys of SPEED+/-SPEED-). As follow picture shows:



4. Press "MODE" and start to address the strip, "A A A" will be shown on the controller, as follow picture shows:



5. When addressing is completed, "65 1 3" will be indicated, as follow picture shows:



6. Please press and hold the "CHIP" key first, then press the "MODE" key at the same time to exit the addressing mode and enter the controller mode, as follow picture shows:



7. The first and second displayed value must be "10", if it's not, the strip couldn't be controlled normally. The two value can be changed by adjusting "CHIP" key.

8. In the mode of program playback, You can adjust the "SPEED +" and "SPEED-" keys to change the playback speed; if there are multiple programs in the SD card, you can use the "MODE" key to select the program you want to play.

SM-XMQ1000A Operation

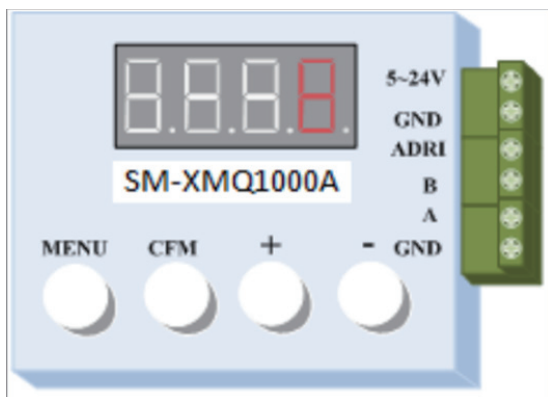
This coder is available for the addressing and the testing after addressed. After the addressing, the input wire of LED strip powered off with the coder and connected to DMX512 controller or console, the control effect program would be operated by controllers or console.

The coder SM-XMQ1000A can implement the setting of customized initiative channel value. The specific operation is as follows:

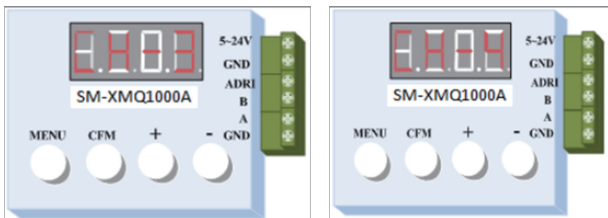
1. After the signal wire of neon flex is connected to the coder, it can be powered on;

2. The built-in effect programs of the coder after powered up is total 9 models. Pressing "CFM" can switch by different models.

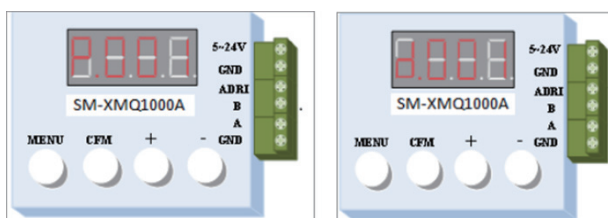
When the display of coder shows the letter "LOOP", the effect plays in loop; If press "CFM" again, it always plays at one same effect. For example, the following picture is that one when playing at the eighth effect.



3. As playing the effects from 1 to 9, the display of coder shows "CH-3" and "CH-4" when single click; "CH-3" and "CH-4" change between each other when press and hold, like below pictures. And we choose "CH-3" for an example.



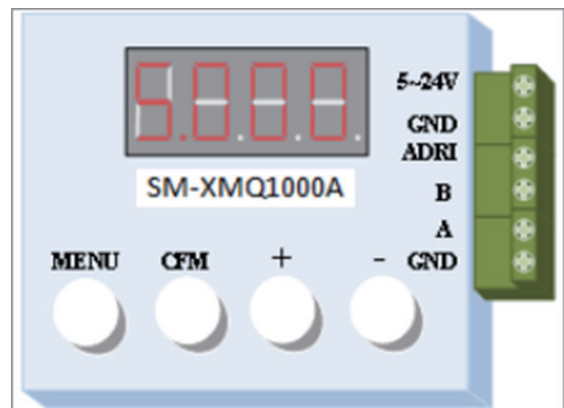
4. When the display shows "CF-3", it goes below after press "MENU":



"P.001" and "d.001" change between each other when press "CFM". And we choose "d.001" for an example.

5. Press "+" or "-" to set "initiative channel value", number 001 in "d.001" will be automatically changed accordingly.

6. After finished the setting of "initiative channel value", it goes below when press "MENU" for setting "channel improve":



Press "+" or "-" to set "channel improve". And we choose "S.003" for an example.

7. Press "CFM" and start to address the strip, also please wait for the finish with patience.