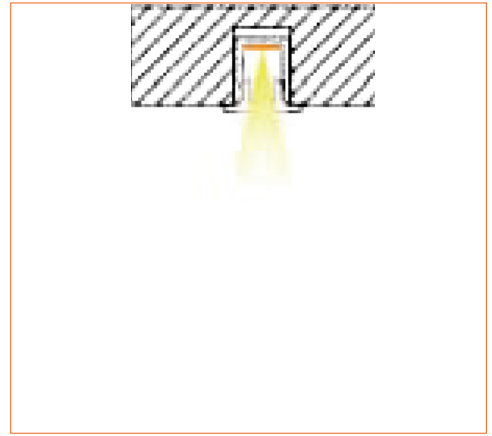


PRO PROFILE SURFACE BEO78-I



ACCESSORIES

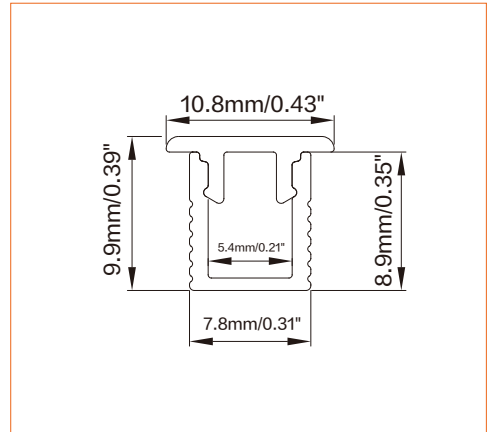


Plastic End Cap



Metal Clip

TECHNICAL DRAWING



TECHNICAL DATA

Length	2m/6.56ft
Dimension (W*H)	7.8*8.9mm/0.30"*0.35"
Max Flex Width	5.4mm/0.21"
Pitch for Diffusion	180LED/m

*Please note that unless otherwise indicated, tape lights, extrusions and lenses will come separately and not assembled.

Standard is 1m/3.28ft per piece, other lengths can be customized.

Maximum: 2m/6.56ft per piece.