

LINIO NEON 0408X SV

Outdoor · Horizontal Bending · Field cuttable

Beamever

Features

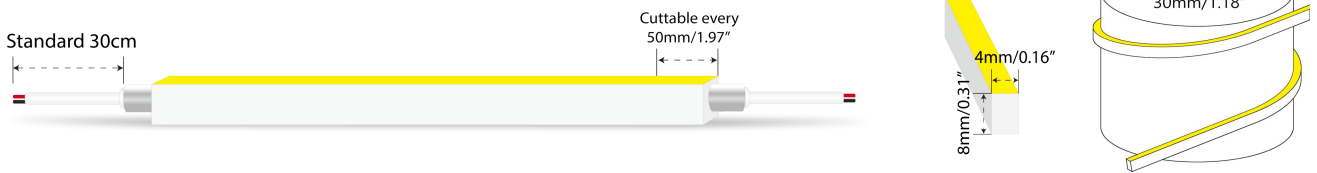
- Field cuttable & joinable
- Low voltage 24V DC
- All dimming protocols dimmable
- Ultra-thin profile, perfect for the designs you need
- IP65 rated for silicone end cap, IP54 rated for injected end cap
- UV stable without yellowing or cracking over time



Fixture type	
Project name	
Project phase	
Date	



Dimension & Bending



Physical

Dimensions	4mm x 8mm (width x height)
Bend Direction	Horizontal bending
Bend Diameter	30mm
Cutting Interval	50mm
Field Cuttable	Yes
Housing Material	Dow Corning
Housing Technique	Co-extrusion
Body Color	White
Finish	Matte
Feed Entry	Front, side, bottom
Feed Length	Standard length 30cm
End Cap	Injected/silicone
Mounting	Clips or channels (rigid or bendable)
Storage Temperature	-25°C~60°C (-13°F~140°F)
Ambient Temperature	-25°C~55°C (-13°F~131°F)
Max. Production Length	20m

Performance & Electrical

Voltage	24VDC (23.5Vmin, 24.5Vmax)
Beam Angle	110°
MacAdam	2 steps
Efficacy (lm/W)	37.3lm/W @3500K 9.6W
CRI	Ra>90
Lumen Maintenance	> 54,000 hours
IP Rating	IP65 / IP54
Resistance	UV, solvent, saltwater, flame
Dimming	Triac, ELV, PWM, 0-10V, DMX, SPI
Warranty	5 years

Certification & Safety

Certifications	UL, CE, REACH, RoHS, CB
Environment	Dry, damp or wet locations

Lumen/M	6W
■ 2400K	191
■ 2700K	204
■ 3000K	217
■ 3500K	224
■ 4000K	211
■ 5300K	204
Max. Run Length (M)	5

LINIO NEON 0408X SV

Outdoor · Horizontal Bending · Field cuttable



Order Code

Series	Temp./Color	Power	Feed Entry	Connector Wire	End Cap	Length (mm)
LN0408XSV	24=2400K 27=2700K 30=3000K 35=3500K 40=4000K 53=5300K	006=6W	FF=Front + Front FC=Front + Closed	OW=Open wire 30cm MFCW=Male & female connector with 30cm white cable MFCB=Male & female connector with 30cm black cable	IJ=Injected end cap (IP54) * Factory made only SEC=Silicone end cap (IP65) * End caps are added by default	Min. - 50mm Max. run - 5000mm Cut Inc. - 50mm

Example: LN0408XSV-30-006-FF-OW-IJ-01000

* Customizable—Contact Beamever representatives

*This product is not rated as submersible. Do not install in a location where water may pool or collect.

Feed Entry Options

For injected end cap (IP54), factory made only



For silicone end cap (IP65)

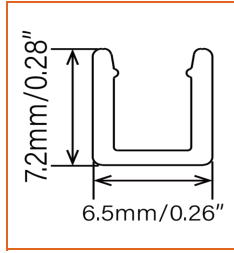
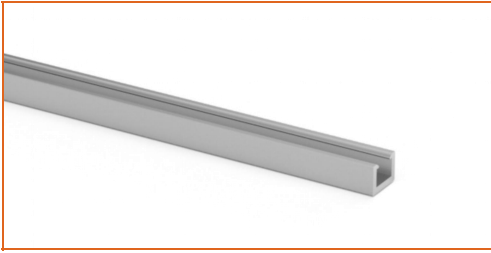


LINIO NEON 0408X SV

Outdoor · Horizontal Bending · Field cuttable

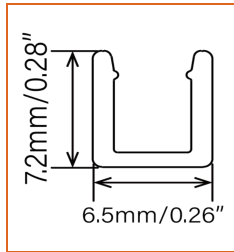


Mounting Options



* Standard length is 1m/pcs.

Name	Straight surface channel
Code	LN0408-SC
Material	Aluminum
Mounting style	Surface mounted
Length	1m
Width	6.5mm
Height	7.2mm
Internal width	/



* Recommend use 4 mounting clip for 1m of neon.

Name	Mounting clip
Code	LN0408-CL
Material	Stainless Steel
Mounting style	Surface mounted
Length	15mm
Width	6.5mm
Height	7.2mm
Internal Width	/

Driver Options

Code	Max Load	Input	Output	Dimming	Environment	Size
XLG-150-24-A	150W	100-305VAC	24VDC	Non-Dim	Dry/Damp/IP67	180x63x35.5mm (L x W x H)
ELG-150-24B-3Y	150W	100-305VAC	24VDC	3 in 1 dimming	Dry/Damp/IP67	219x63x35.5mm (LxWxH)
ELG-150-24DA-3Y	150W	100-305VAC	24VDC	DALI control technology	Dry/Damp/IP67	219x63x35.5mm (L x W x H)
LPV-150-24	150W	180-305VAC	24VDC	Non-Dim	Dry/Damp/IP67	148x40x30mm (L x W x H)
LRS-150-24	150W	85-132V / 170-264VAC	24VDC	Non-Dim	Dry	99x97x30mm (L x W x H)
PWM-120-24	120W	90 ~ 305V / 127 ~ 431VAC	24VDC	3 in 1 dimming	Dry/Damp/IP67	191x63x37.5mm (LxWxH)

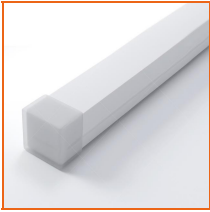
* Please refer to the spec sheet of each power supply for more detailed information

LINIO NEON 0408X SV

Outdoor · Horizontal Bending · Field cuttable



Accessories Options (Optional, purchase for extra)



Name Silicone closed end cap

Code LN0408-SEC-C

Closed silicone end cap



Name Silicone front end cap

Code LN0408-SEC-F-2P

Silicone end cap front entry with 30cm black cable, 2 pin



Name Male and female connectors

Code MFC-2P-67-W

Male and female connectors with 30cm white cable, 2 pin



Name Male and female connectors

Code MFC-2P-67-B

Male and female connectors with 30cm black cable, 2 pin



Name Extension connectors

Code ETC-2P-67-1M

Extension male and female connectors with 1m white cable, 2 pin



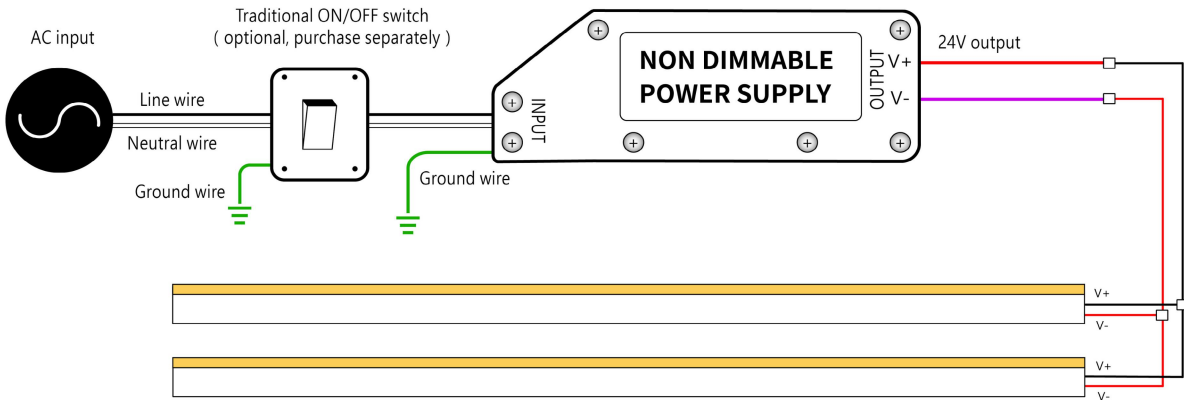
Name Extension connectors

Code ETC-2P-67-5M

Extension male and female connectors with 5m white cable, 2 pin

Wiring Diagram

Non Dimmable



Dimmable

